



KB803 ACOUSTICAL CEILING Baffles

THE HEAT SEALED VINYL COVERING MAKES THESE Baffles THE PERFECT ECONOMICAL SOLUTION FOR NOISE AND REVERBERATION CONTROL IN GYMNASIUMS, MULTI-PURPOSE ROOMS AND OTHER HIGH CEILING SPACES.

KB803 Acoustical Ceiling Baffles are an economical solution to reverberant noise problems in high ceiling areas such as cafeterias, gymnasiums and multi-purpose rooms. Used to reduce overall noise and reverberation levels, these baffles are suspended from the ceiling as vertical baffles.

KB803 24" x 48" baffles are constructed with a 3 PCF fiberglass core which is encased in a fire retardant vinyl film cover. The vinyl is heat sealed on the edges to create an airtight seam. For ease of installation, each baffle has brass grommets along the edge. KB803 baffles are available in FDA accepted coverings. Suspension grommets can be sealed (optional) for clean room applications.

KB803 / Acoustical Ceiling Baffles

DESCRIPTION

- Noise control baffle for use in high ceiling areas to reduce reverberation levels
- Available in a wide variety of colors and sizes
- Standard sizes 24" x 48" up to 48" x 96"

FIRE TEST DATA

- Class 1 per UL-723
- Flame spread – 15 or less
- Smoke Developed rating – 105 or less

ACOUSTICAL PERFORMANCE

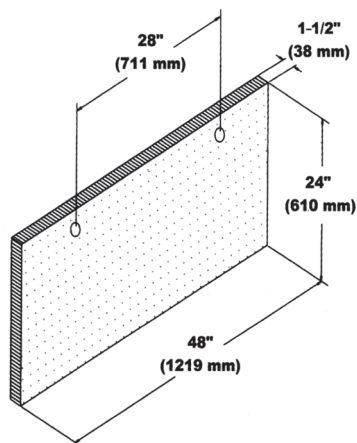
Sound Absorption per ASTM C-423*

Frequency (Hz)	125	250	500	1K	2K	4K	NRC
Sabins 24" x 48"	2.00	5.90	11.9	14.4	12.2	7.80	-
Absorption Coefficient	0.25	0.74	1.5	1.8	1.5	0.98	1.4

*Baffles tested in a typical suspended layout

COMPOSITION

- 1-1/2" thick 3 PCF fiberglass core
- Completely wrapped and heat sealed with a 3 mil vinyl film cover
- Brass grommets are located on the top edge



Larger baffles up to 48" x 96" available with 2" thick fiberglass core

APPLICATIONS

- Multi-purpose rooms
- Cafeterias
- Gymnasiums
- Animal kennels
- Indoor play areas

MOUNTING

To be mounted following manufacturer's recommendations

