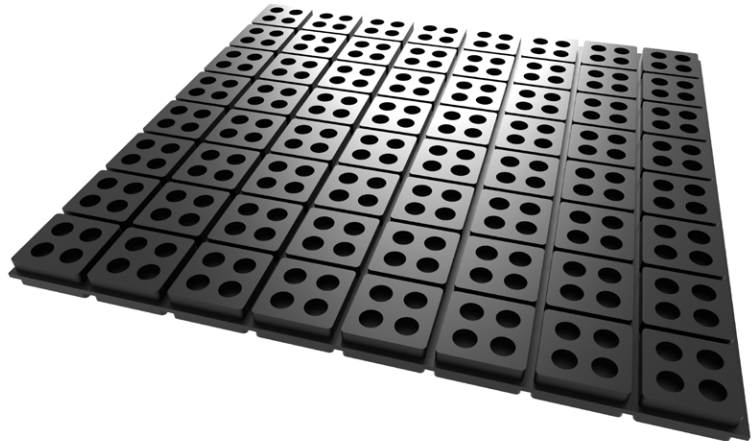


---

# **KINETICS®**

## Elastomeric Isolators

### **Model RSP**



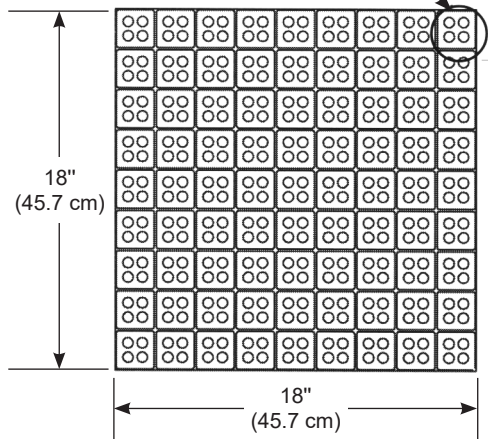
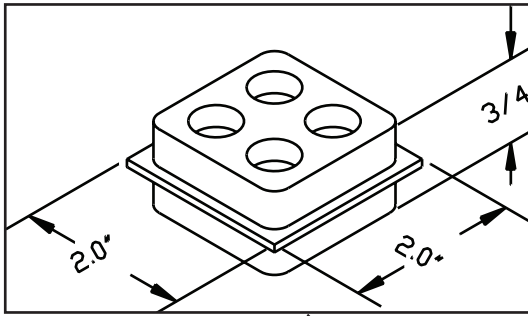
### **Application and Description**

Kinetics RSP pads are produced from a high quality EPDM elastomer. Pads are 55 durometer and are designed for a maximum of 85 psi (5.97 kg/cm<sup>2</sup>) loading. Pads are designed for a maximum deflection of approximately 20% of its unloaded thickness, 0.15" (0.38 cm). The elastomer is oil and water resistant, offers a long life expectancy consistent with EPDM compounds, and has been designed to operate within the safe stress limits of the material. RSP pads are available up to 18" x 18" x 3/4" (457 mm x 457 mm x 19 mm) thick sheets and are pre-scored into 2" x 2" (51 mm x 51 mm) squares and can be easily cut-to-fit as needed. All pads shall be elastomer in-shear and shall be molded using 2500 psi minimum tensile strength, oil resistant EPDM compounds with no color additives.

Kinetics RSP elastomer in-shear isolation pads are suitable for the isolation of noise, shock, and high frequency vibration produced by mechanical, industrial, or process equipment located on grade, structural slab, or in other noncritical areas.

### **Features**

- 55 durometer EPDM pads
- Designed for maximum 85 psi
- 18" x 18" x 3/4" with 2" x 2" scores
- Oil, water, and corrosion resistant

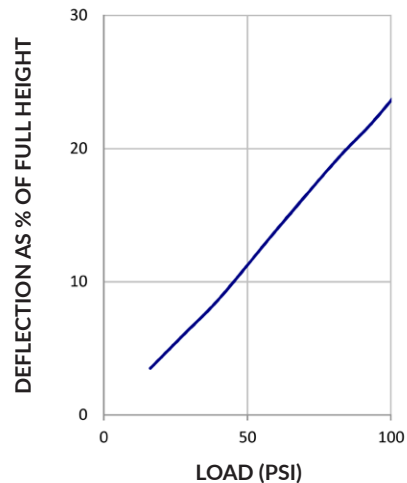


**Full Sheet:** 18" x 18" x 3/4"  
**Contains:** 81, 2" x 2" pads  
**Max. Load Rating:** 340 lbs. (154 kg) for each 2" x 2" pad

## Specifications

Isolation pads shall be elastomer in-shear pads, used in conjunction with steel shims where required, having static deflections as tabulated. Kinetics RSP pads are produced from a high quality EPDM elastomer. Pads are 55 durometer and are designed for a maximum of 85 psi (5.97 kg/cm<sup>2</sup>) loading. Pads are designed for a maximum deflection of approximately 20% of its unloaded thickness, 0.15" (0.38 cm). Several layers of waffle pad pads can be stacked for additional deflection when steel separation shim stock is used. The elastomer is oil and water resistant, offers a long life expectancy consistent with EPDM compounds, and has been designed to operate within the safe stress limits of the material. RSP pads are available up to 18" x 18" x 3/4" (457 mm x 457 mm x 19 mm) thick sheets and are pre-scored into 2" x 2" (51 mm x 51 mm) squares and can be easily cut-to-fit as needed. All pads shall be elastomer in-shear and shall be molded using 2500 psi minimum tensile strength, oil resistant EPDM compounds with no color additives. Waffle pad vibration isolators shall have minimum operating static deflections as shown on the Vibration Isolation Schedule, or as indicated on the project documents, but not exceeding published load capabilities. Waffle pad vibration isolators shall be Model RSP as manufactured by Kinetics Noise Control, Inc.

## RSP Pad Load vs. Deflection



[kineticsnoise.com](http://kineticsnoise.com)  
[sales@kineticsnoise.com](mailto:sales@kineticsnoise.com)  
 1-800-959-1229