

KINETICS RDS



KINETICS RD

KINETICS® RD/RDS ELASTOMERIC VIBRATION ISOLATORS

Features

- Molded neoprene isolator
- Encapsulated tapped steel load plate
- Encapsulated drilled steel anchor/baseplate
- Load capacities 55 lbs to 4000 lbs (25 kg to 1814 kg)
- Seismic and wind restraint option (RDS)
- Standard Powder Coated Finish (RDS);
Painted Mounts Available (RDS)

Application

Kinetics RD/RDS neoprene mounts are recommended for the isolation of vibration produced by small pumps, vent sets, low pressure packaged air-handling units, and other mechanical equipment. Typical applications are limited to isolation of high frequency vibration generated mechanical equipment having the lowest operating speeds of 1750 RPM when located on a grade-supported slab or pier, and include close-coupled pumps with motors of 5 H.P. or less.

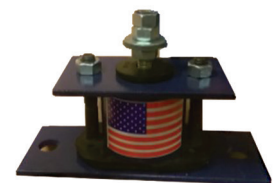
Kinetics RD/RDS neoprene isolation mounts can be used for isolation of mechanical equipment specified to be supported by neoprene rubber or elastomer isolators and with tabulated minimum static deflection up to 0.50" (13 mm).

Description

Kinetics RD/RDS vibration isolators are one-piece molded neoprene mounts with encapsulated metal inserts, are color coded to identify capacity, and have non-skid ribs on the bottom load surfaces. Each isolator incorporates two bolt-down holes on the bottom load surface and a tapped steel load top plate for attachment to the supported equipment. The neoprene is highly oil resistant and has been designed to operate within the strain limits of the isolator to provide maximum isolation and longest life expectancy possible using neoprene compounds. Models RD/RDS are designed for up to 0.5" (13 mm) deflection, available in four sizes and eleven capacities from 55 lbs. to 4,000 lbs. (25 kg to 1814 kg). Model RDS offers a seismic and wind restraint housing to meet the latest building code requirements.



RD

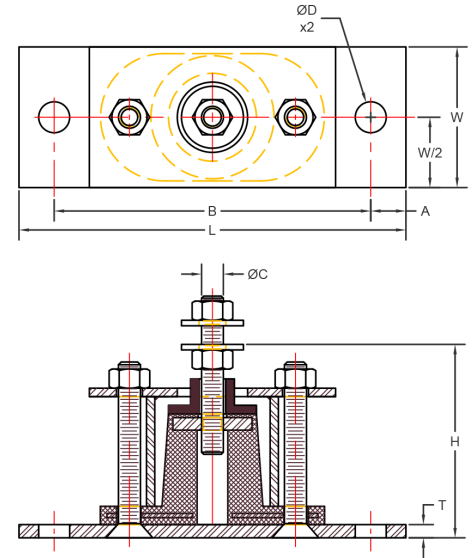


RDS

KINETICS RDS SEISMIC NEOPRENE ISOLATOR

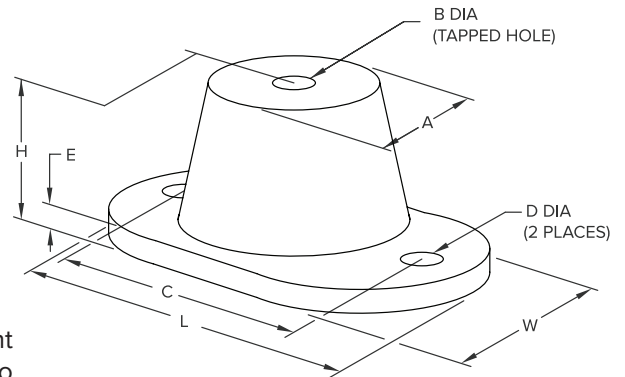
STANDARD RATINGS						RESTRAINT CAPACITY			
TYPE	SIZE	DURO	COLOR	RATED		HOR. lbs (kg)	VER. lbs (kg)	COMB. lbs (kg)	
				LOAD lbs (kg)	DEFL. in (mm)				
RDAS	55	50	Yellow	55 (25)	0.40 (10)	370 (168)	481 (218)	341 (155)	
RDAS	125	70	Blue	125 (57)	0.40 (10)	370 (168)	481 (218)	341 (155)	
RDBS	120	45	Orange	120 (54)	0.50 (13)	637 (289)	520 (236)	413 (187)	
RDBS	220	55	Green	220 (100)	0.50 (13)	637 (289)	520 (236)	413 (187)	
RDBS	375	65	Blue	375 (170)	0.50 (13)	637 (289)	520 (236)	413 (187)	
RDCS	250	55	Yellow	250 (113)	0.50 (13)	1185 (538)	250 (113)	1069 (485)	
RDCS	600	60	Blue	600 (272)	0.50 (13)	1185 (538)	600 (272)	1069 (485)	
RDCS	1100	70	White	1100 (499)	0.50 (13)	1185 (538)	1100 (499)	1069 (485)	
RDDS	2200	90	Pink	2200 (998)	0.50 (13)	3982 (1806)	1923 (872)	3561 (1615)	

TYPE	L in (mm)	W in (mm)	T in (mm)	A in (mm)	B in (mm)	C in (mm)	D in (mm)	H in (mm)
RDAS	5.50 (140)	2.00 (51)	0.19 (5)	0.50 (13)	4.50 (114)	0.31 (8)	0.44 (11)	2.75 (70)
RDBS	6.00 (152)	2.50 (64)	0.19 (5)	0.50 (13)	5.00 (127)	0.38 (10)	0.44 (11)	3.00 (76)
RDCS	8.00 (203)	4.00 (102)	0.25 (6)	0.50 (13)	7.00 (178)	0.50 (13)	0.56 (14)	4.25 (108)
RDDS	8.00 (203)	4.00 (102)	0.50 (13)	0.50 (13)	7.00 (178)	0.88 (22)	0.56 (14)	4.12 (105)



KINETICS RD NEOPRENE ISOLATOR

STANDARD RATINGS						RESTRAINT CAPACITY							
TYPE	SIZE	DURO	COLOR	RATED		L in (mm)	W in (mm)	A in (mm)	B in (mm)	C in (mm)	D in (mm)	E in (mm)	H in (mm)
				LOAD lbs (kg)	DEFL. in (mm)								
RDA	55	50	Yellow	55 (25)	0.40 (10)	3.19 (81)	1.81 (46)	1.25 (32)	0.31 (8)	2.38 (60)	0.34 (9)	0.19 (5)	1.50 (38)
RDA	125	70	Blue	125 (57)	0.40 (10)	3.88 (98)	2.38 (60)	1.75 (44)	0.38 (10)	3.00 (76)	0.34 (9)	0.25 (6)	1.75 (44)
RDB	120	45	Orange	120 (54)	0.50 (13)	5.50 (140)	3.25 (83)	2.50 (64)	0.50 (13)	4.13 (105)	0.56 (14)	0.25 (6)	2.50 (64)
RDB	220	55	Green	220 (100)	0.50 (13)	6.25 (159)	4.63 (118)	3.75 (95)	0.50 (13)	5.00 (127)	0.56 (14)	0.38 (10)	2.75 (70)
RDB	375	65	Blue	375 (170)	0.50 (13)								
RDC	250	55	Yellow	250 (113)	0.50 (13)								
RDC	600	60	Blue	600 (272)	0.50 (13)								
RDC	1100	70	White	1100 (499)	0.50 (13)								
RDD	2250	50	Red	2250 (1021)	0.50 (13)								
RDD	3000	60	Green	3000 (1361)	0.50 (13)								
RDD	4000	70	Gray	4000 (1814)	0.50 (13)								



Specifications

Vibration isolators shall be neoprene, molded from oil-resistant compounds, with cast-in-top steel load transfer plate for bolting to supported equipment, and a bolt-down plate with holes provided for anchoring to supporting structure. Bottom surfaces shall have non-skid ribs.

Neoprene vibration isolators shall have minimum operating static deflections as shown on the Vibration Isolation Schedule or as indicated on the project documents but not exceeding published load capabilities.

Neoprene vibration isolators shall be Kinetics RD and RDS, as manufactured by Kinetics Noise Control, Inc.



kineticsnoise.com
sales@kineticsnoise.com
1-800-959-1229