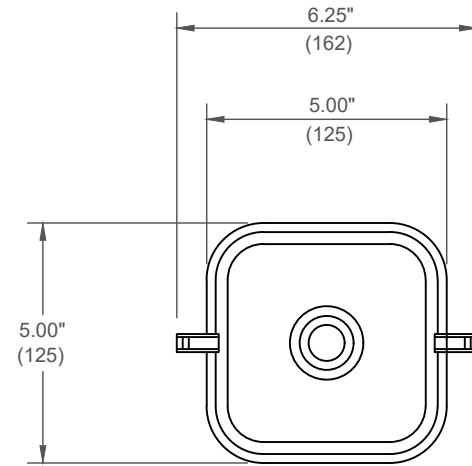
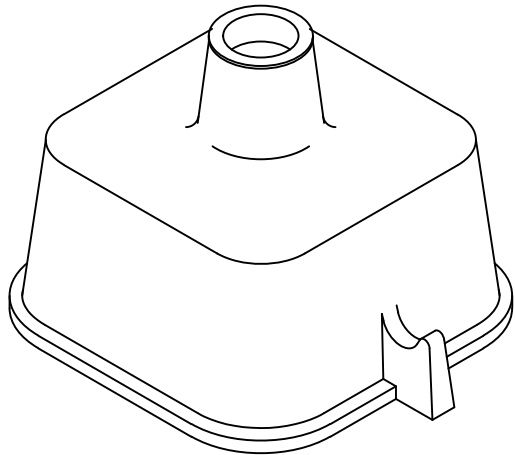


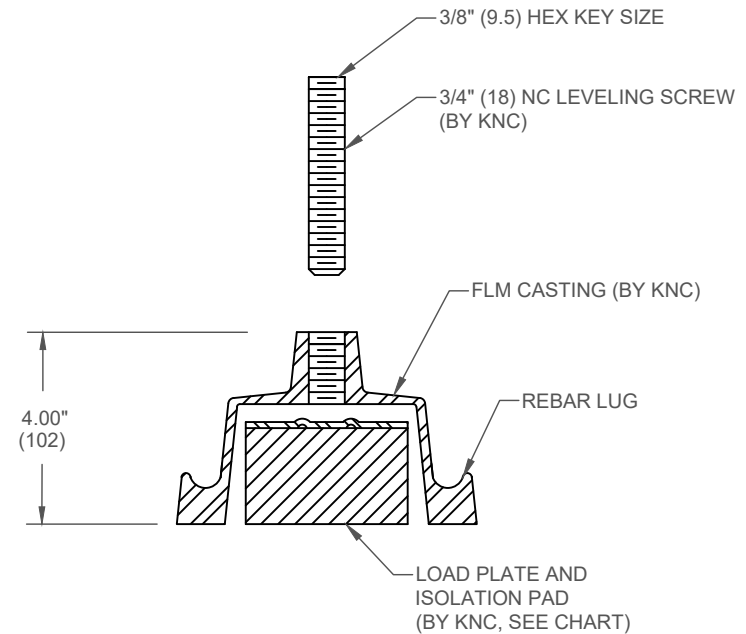
## FLM LIFT SLAB ISOLATOR

IP UNITS (INCHES AND POUNDS) SI UNITS [MM AND KG]

TYPE	CAVITY HEIGHT	ISOLATOR CAPACITY	ISOLATOR SPACING	MAXIMUM CAPACITY
FLM-44Q	1" [25.4]	1150 [521]	24 [609.6]	285 PSF [1391.5 KG/M <sup>2</sup> ]
	1" [25.4]	1150 [521]	36 [914.4]	125 PSF [610.3 KG/M <sup>2</sup> ]
	1" [25.4]	1150 [521]	48 [1219.2]	70 PSF [341.8 KG/M <sup>2</sup> ]
FLM-44R	1" [25.4]	2450 [1111]	24 [609.6]	610 PSF [2978.3 KG/M <sup>2</sup> ]
	1" [25.4]	2450 [1111]	36 [914.4]	275 PSF [1342.7 KG/M <sup>2</sup> ]
	1" [25.4]	2450 [1111]	48 [1219.2]	150 PSF [732.4 KG/M <sup>2</sup> ]
FLM-44N	1" [25.4]	1500 [680]	24 [609.6]	375 PSF [1830.9 KG/M <sup>2</sup> ]
	1" [25.4]	1500 [680]	36 [914.4]	167 PSF [815.4 KG/M <sup>2</sup> ]
	1" [25.4]	1500 [680]	48 [1219.2]	95 PSF [463.8 KG/M <sup>2</sup> ]
FLM-44Q2	2" [50.8]	1150 [521]	24 [609.6]	285 PSF [1391.5 KG/M <sup>2</sup> ]
	2" [50.8]	1150 [521]	36 [914.4]	125 PSF [610.3 KG/M <sup>2</sup> ]
	2" [50.8]	1150 [521]	48 [1219.2]	70 PSF [341.8 KG/M <sup>2</sup> ]
FLM-44R2	2" [50.8]	2450 [1111]	24 [609.6]	610 PSF [2978.3 KG/M <sup>2</sup> ]
	2" [50.8]	2450 [1111]	36 [914.4]	275 PSF [1342.7 KG/M <sup>2</sup> ]
	2" [50.8]	2450 [1111]	48 [1219.2]	150 PSF [732.4 KG/M <sup>2</sup> ]
FLM-44N2	2" [50.8]	1500 [680]	24 [609.6]	375 PSF [1830.9 KG/M <sup>2</sup> ]
	2" [50.8]	1500 [680]	36 [914.4]	167 PSF [815.4 KG/M <sup>2</sup> ]
	2" [50.8]	1500 [680]	48 [1219.2]	95 PSF [463.8 KG/M <sup>2</sup> ]



**TOP VIEW**



**FRONT VIEW**

DIMENSION FORMAT: IN [mm]

SCALE: 3" = 1'-0"



FLM: LIFT SLAB FLOOR ISOLATOR

Revised  
8/6/2018

Drawing No.  
AA002002

[kineticsnoise.com/flm](http://kineticsnoise.com/flm)