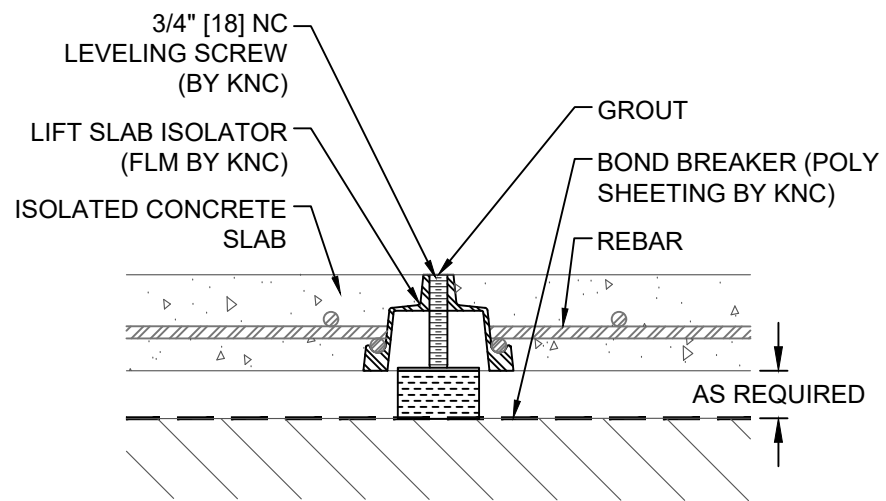


SLAB POSITION DURING  
CONCRETE CURE PERIOD



SLAB POSITION AFTER RAISING FLOOR  
(OPERATING HEIGHT)

DIMENSION FORMAT: IN [mm]

SCALE: NTS



FLM: BEFORE AND  
AFTER LIFTING DETAIL

Revised  
10/15/19

Drawing No.  
AA001815

[kineticsnoise.com/flm](http://kineticsnoise.com/flm)