

FLS 1" DEFLECTION ISOLATOR
IP UNITS (INCHES AND POUNDS)

| TYPE | L | W | T | A | B | D | E | F | d | H | TT |
|-----------|------|------|------|------|------|------|------|------|------|------|------|
| 1-50/3500 | 8.75 | 4.00 | 0.25 | 0.75 | 0.75 | 0.69 | 2.75 | 2.75 | 0.56 | 6.25 | 0.38 |

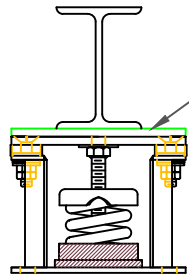
*ALL MOUNTING BOLT PATTERNS SYMMETRICAL ABOUT ISOLATOR CENTER-LINE

| STANDARD RATINGS | SPRING COIL | | | | | | |
|------------------|-------------|--------|-------|----------|------|------------|-------|
| | TYPE | SIZE | COLOR | FREE HT. | O.D. | RATED LOAD | DEFL. |
| FLS | 1-50 | BEIGE | | 4.20 | 3.00 | 50 | 1.00 |
| FLS | 1-100 | CHROME | | 4.20 | 3.00 | 100 | 1.00 |
| FLS | 1-250 | BLUE | | 4.20 | 3.00 | 250 | 1.79 |
| FLS | 1-450 | GREEN | | 4.20 | 3.00 | 450 | 1.54 |
| FLS | 1-625 | BLACK | | 4.20 | 3.00 | 625 | 1.44 |
| FLS | 1-800 | GRAY | | 4.20 | 3.00 | 800 | 1.31 |
| FLS | 1-1000 | RED | | 4.20 | 3.00 | 1000 | 1.15 |
| FLS | 1-1250 | BROWN | | 4.20 | 3.00 | 1250 | 1.09 |
| FLS | 1-1700 | ORANGE | | 4.20 | 3.00 | 1700 | 0.95 |
| FLS | 1-2200 | ORANGE | GRAY | 4.20 | 3.00 | 2200 | 1.00 |
| FLS | 1-2465 | BLUE | | 4.20 | 3.00 | 2465 | 1.00 |
| FLS | 1-2865 | BLUE | GRAY | 4.20 | 3.00 | 2865 | 1.00 |
| FLS | 1-3500 | BLUE | BROWN | 4.20 | 3.00 | 3500 | 1.00 |

1-50/3500 REQUIRES 0.62 DIA. x 4.00 MIN. EMBED ANCHORS IN CONCRETE

(ALLOWABLE LOADS BASED ON 3000 PSI MIN CONCRETE)

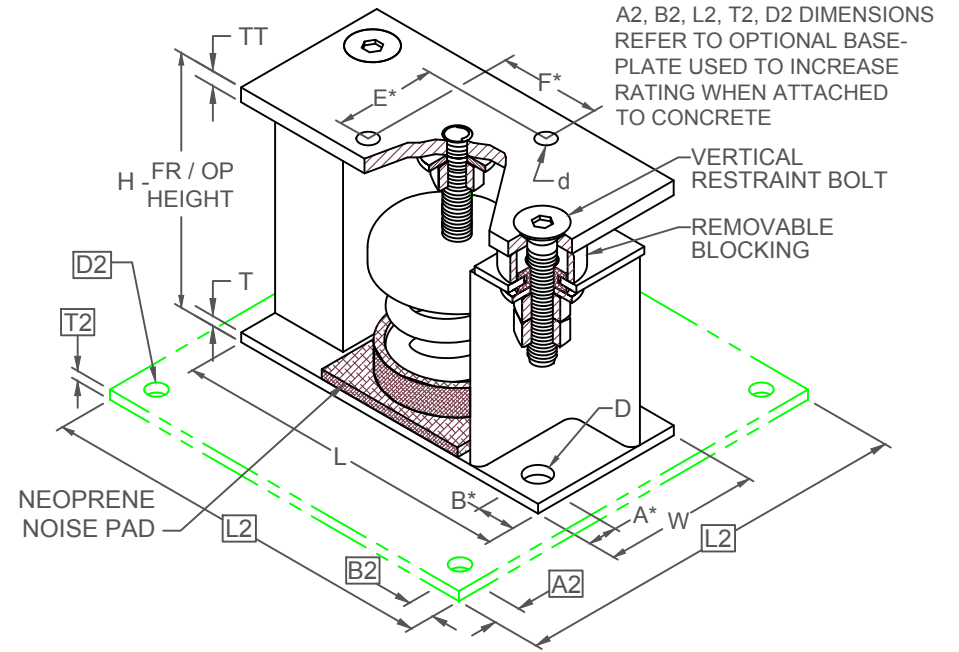
1-50/3500 ANCHOR BOLT TORQUE - 75 FT-LB, PULL TEST - 2670 LB



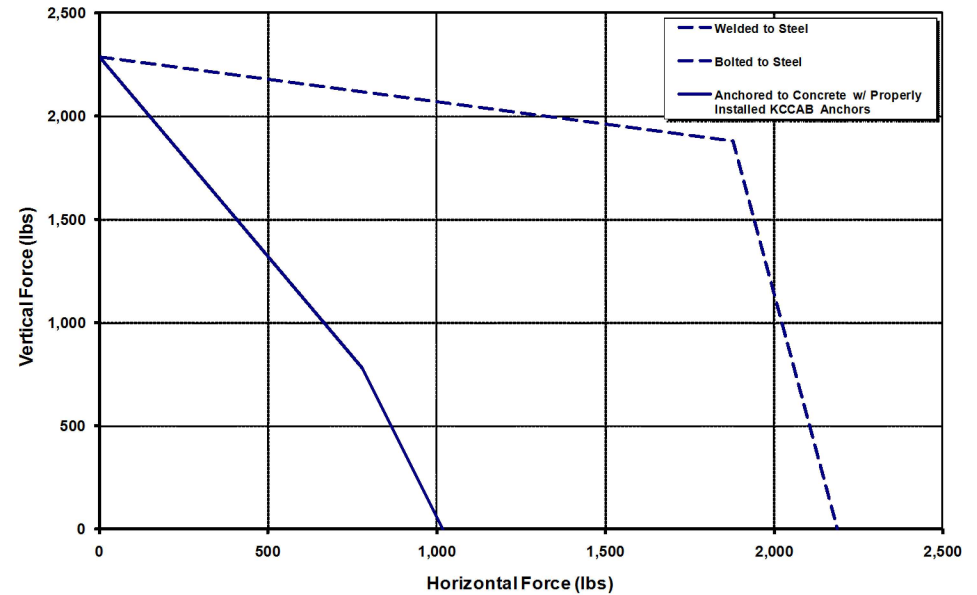
IF EQUIP SUPPORT STEEL IS 90° TO THE LONG ISOLATOR AXIS, AN ADD'L PLATE EQUAL IN THICKNESS TO THE TOP PLATE IS REQUIRED

SPECIFICATIONS:

- VERTICALLY AND Laterally RESTRAINED SPRING ISOLATOR WITH CONSTANT FREE AND OPERATING HEIGHT AND REPLACEABLE NEOPRENE SNUBBING ELEMENTS.
- WHEN PROPERLY ADJUSTED, MAX. CLEARANCE IN SNUBBING ELEMENTS IS LIMITED TO 0.25 INCHES.
- MINIMUM COIL OVERLOAD OF 50%.
- MINIMUM Kx/Ky RATIO OF 1.0.
- ALL ELEMENTS SAFE AT SOLID LOADING.
- POWDER COATED COILS AND HOT DIPPED GALVANIZED BRACKET.
- HOUSINGS MAY BE USED FOR BLOCKING DURING EQUIPMENT ERECTION.



FLS-1-50/3500 Seismic Capacity Envelopes



Computed horiz. and vert. seismic load combinations must fall within the restraint capacity envelope.



KINETICS NOISE CONTROL, INC
6300 IRELAN PL,
DUBLIN, OH 43017 USA
Ph: 614 889-0480, Fax: 614 889-0540
www.kineticsnoise.com

Model:
FLS-1-50/3500

By: **JMJ**
Date: **07/10/02**
Revised: **03/31/16/BB**

Drawing No:
S-01.22-11