

FLS 4" DEFLECTION ISOLATOR IP UNITS (INCHES AND POUNDS)

TYPE	L	W	T	A	B	D	E	F	d	H	TT
4-100/1600	10.75	6.00	0.25	0.75	0.75	0.69	2.75	2.75	0.56	14.00	0.38

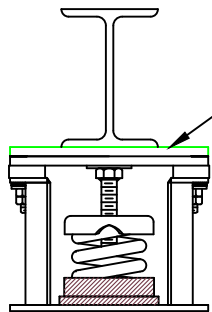
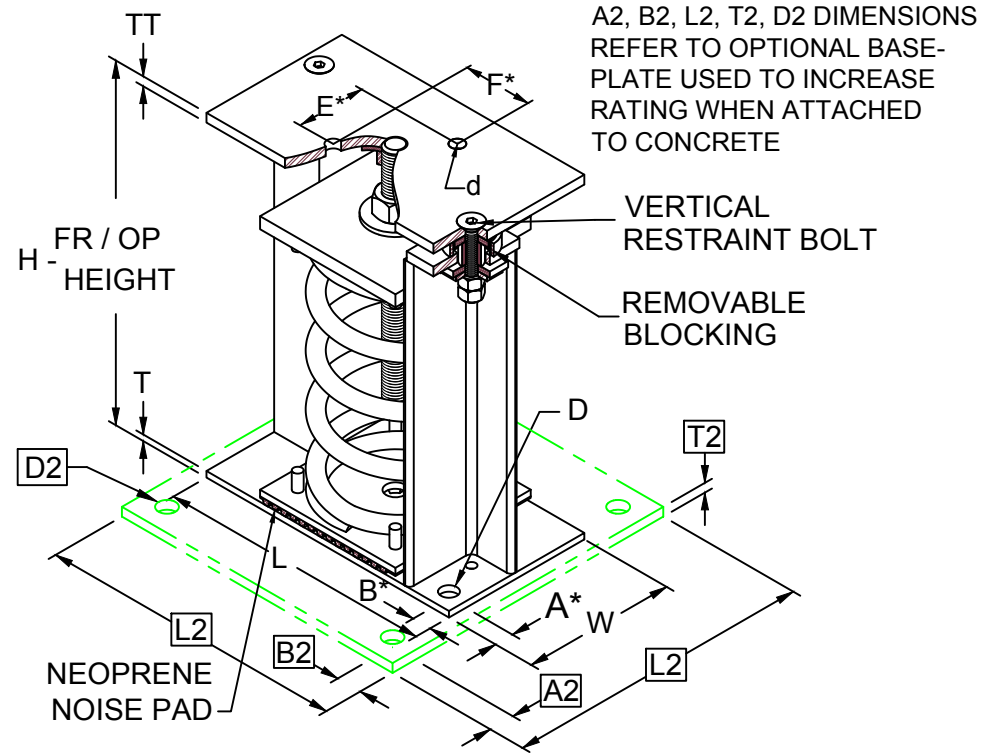
*ALL MOUNTING BOLT PATTERNS SYMMETRICAL ABOUT ISOLATOR CENTER-LINE

STANDARD RATINGS		SPRING COIL				
TYPE	SIZE	COLOR	FREE HT.	O.D.	RATED LOAD	RATED DEFL.
FLS	4-100	GRAY	10.00	5.63	100	4.00
FLS	4-250	BLUE	10.00	5.63	250	4.00
FLS	4-500	GREEN	10.00	5.63	500	4.00
FLS	4-750	BLACK	10.00	5.63	750	4.00
FLS	4-1000	RED	10.00	5.63	1000	4.00
FLS	4-1250	BROWN	10.00	5.63	1250	4.00
FLS	4-1600	ORANGE	10.00	5.63	1600	4.00

4-100/1600 REQUIRES 0.62 DIA. x 4.00 MIN. EMBED ANCHORS IN CONCRETE

(ALLOWABLE LOADS BASED ON 3000 PSI MIN CONCRETE)

4-100/1600 ANCHOR BOLT TORQUE - 75 FT-LB, PULL TEST - 2670 LB

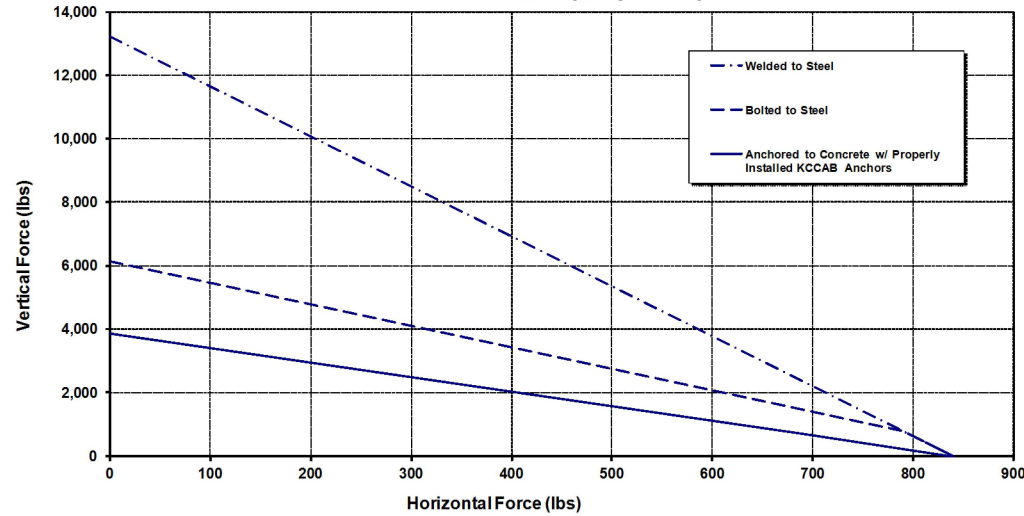


IF EQUIP SUPPORT STEEL IS 90° TO THE LONG ISOLATOR AXIS, AN ADD'L PLATE EQUAL IN THICKNESS TO THE TOP PLATE IS REQUIRED

SPECIFICATIONS:

- VERTICALLY AND Laterally RESTRAINED SPRING ISOLATOR WITH CONSTANT FREE AND OPERATING HEIGHT AND REPLACEABLE NEOPRENE SNUBBING ELEMENTS.
- WHEN PROPERLY ADJUSTED, MAX. CLEARANCE IN SNUBBING ELEMENTS IS LIMITED TO 0.25 (6) INCHES.
- MINIMUM COIL OVERLOAD OF 50%.
- MINIMUM K_x/K_y RATIO OF 1.0.
- ALL ELEMENTS SAFE AT SOLID LOADING.
- POWDER COATED COILS AND HOT DIPPED GALVANIZED HOUSING.
- HOUSINGS MAY BE USED FOR BLOCKING DURING EQUIPMENT ERECTION.

FLS-4-100/1600 Seismic Capacity Envelopes



Computed horizontal and vertical seismic combinations must fall within the restraint capacity envelope



KINETICS NOISE CONTROL, INC
6300 IRELAN PL,
DUBLIN, OH 43017 USA
Ph: 614 889-0480, Fax: 614 889-0540
www.kineticsnoise.com

Model:
FLS-4-
100/1600

By: JMJ
Date: 07/09/02
Revised: 07/10/12 / BB

Drawing No:
S-01.22-41