

FLS 102 mm DEFLECTION ISOLATOR

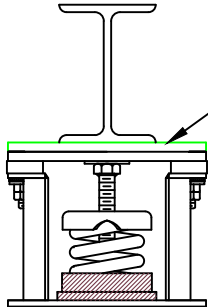
S-I UNITS (mm AND kg)

TYPE	L	W	T	A	B	D	E	F	d	H	TT
4-100/1600	273	152	6	19	19	17	70	70	14	356	10

*ALL MOUNTING BOLT PATTERNS SYMMETRICAL ABOUT ISOLATOR CENTER-LINE

STANDARD RATINGS		SPRING COIL				
TYPE	SIZE	COLOR	FREE		RATED	
			HT.	O.D.	LOAD	DEFL.
FLS	4-100	GRAY	254	143	45	102
FLS	4-250	BLUE	254	143	113	102
FLS	4-500	GREEN	254	143	227	102
FLS	4-750	BLACK	254	143	340	102
FLS	4-1000	RED	254	143	454	102
FLS	4-1250	BROWN	254	143	567	102
FLS	4-1600	ORANGE	254	143	726	102

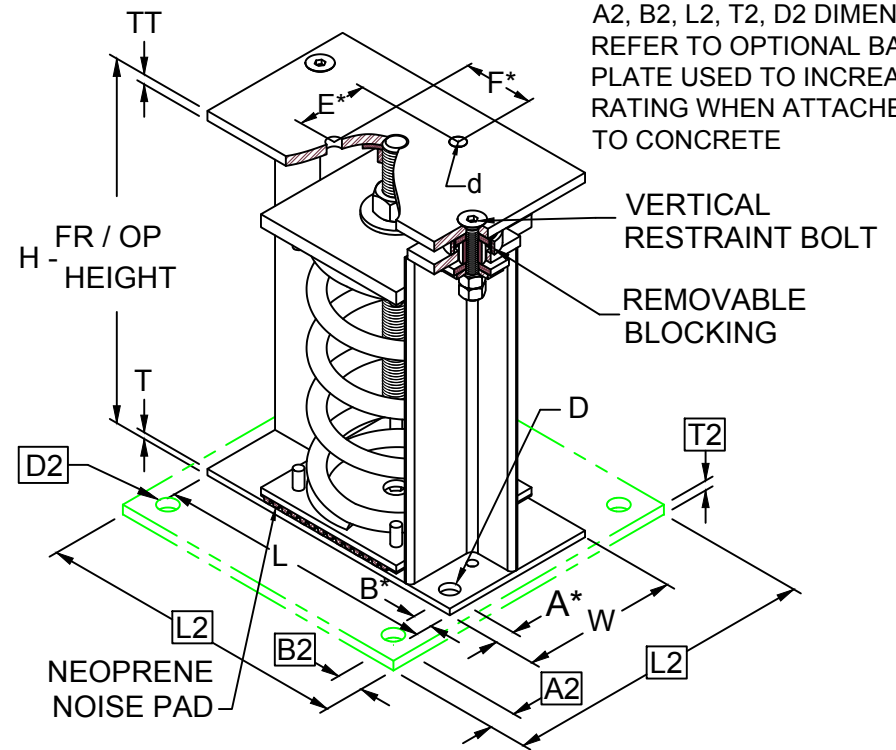
4-100/1600 REQUIRES 16 DIA. x 102 MIN. EMBED ANCHORS IN CONCRETE
(ALLOWABLE LOADS BASED ON 21 MPa MIN CONCRETE)
4-100/1600 ANCHOR BOLT TORQUE - 102 N-M, PULL TEST - 1211 kg



IF EQUIP SUPPORT STEEL IS 90° TO THE LONG ISOLATOR AXIS, AN ADD'L PLATE EQUAL IN THICKNESS TO THE TOP PLATE IS REQUIRED

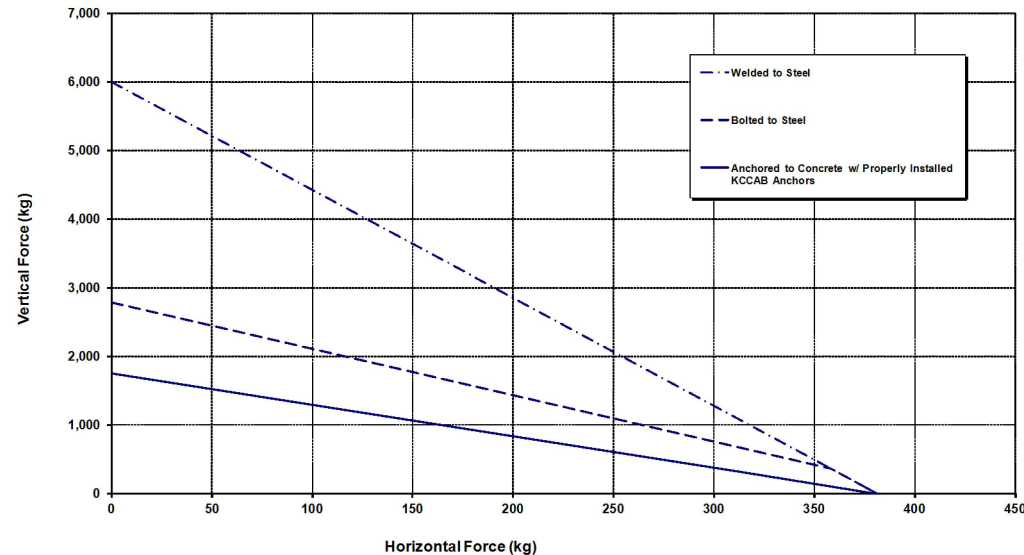
SPECIFICATIONS:

- VERTICALLY AND Laterally RESTRAINED SPRING ISOLATOR WITH CONSTANT FREE AND OPERATING HEIGHT AND REPLACEABLE NEOPRENE SNUBBING ELEMENTS.
- WHEN PROPERLY ADJUSTED, MAX. CLEARANCE IN SNUBBING ELEMENTS IS LIMITED TO 0.25 (6) INCHES.
- MINIMUM COIL OVERLOAD OF 50%.
- MINIMUM Kx/Ky RATIO OF 1.0.
- ALL ELEMENTS SAFE AT SOLID LOADING.
- POWDER COATED COILS AND HOT DIPPED GALVANIZED HOUSING.
- HOUSINGS MAY BE USED FOR BLOCKING DURING EQUIPMENT ERECTION.



A2, B2, L2, T2, D2 DIMENSIONS REFER TO OPTIONAL BASE-PLATE USED TO INCREASE RATING WHEN ATTACHED TO CONCRETE

FLS-4-100/1600 Seismic Capacity Envelopes



Computed horizontal and vertical seismic combinations must fall within the restraint capacity envelope



KINETICS NOISE CONTROL, INC
6300 IRELAN PL,
DUBLIN, OH 43017 USA
Ph: 614 889-0480, Fax: 614 889-0540
www.kineticsnoise.com

Model:
FLS-4-
100/1600

By: JMJ
Date: 07/09/02
Revised: 07/10/12/BB

Drawing No:
S-01.22-41
METRIC