

FLS 1" DEFLECTION ISOLATOR

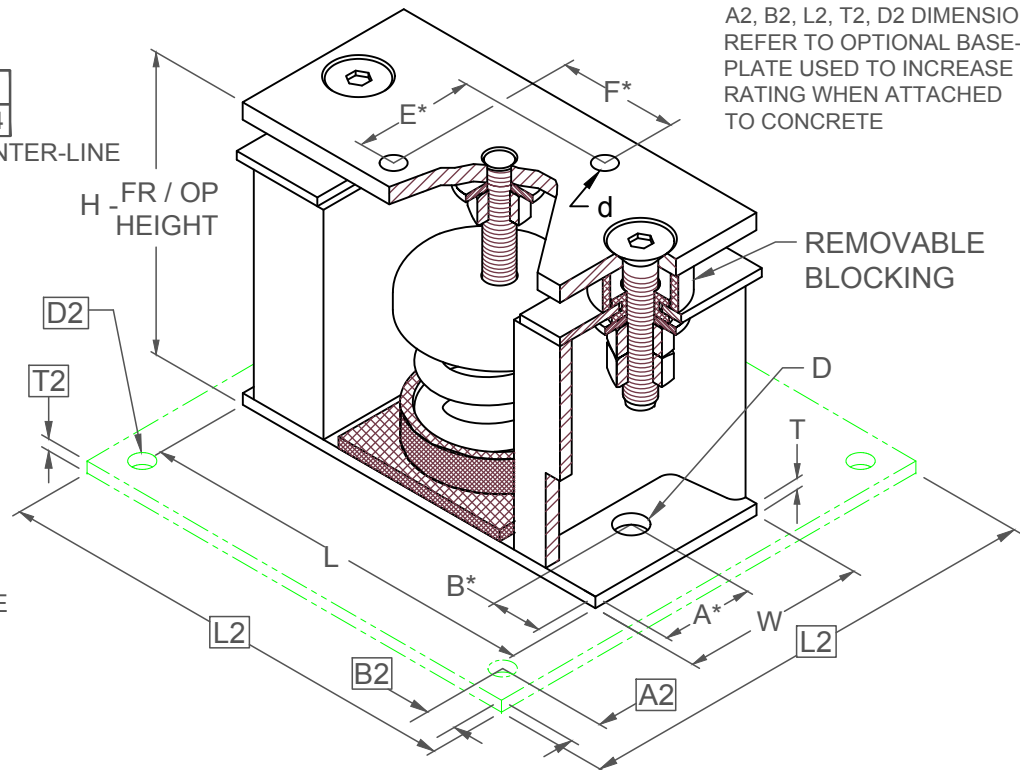
IP UNITS (INCHES AND POUNDS)

TYPE	L	W	T	A	B	D	E	F	d	H
1-35/805	6.50	3.00	0.19	1.50	0.50	0.56	1.75	1.88	0.44	4.44

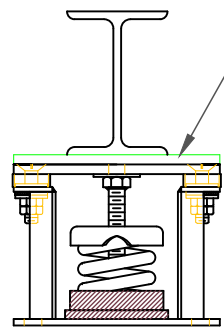
*ALL MOUNTING BOLT PATTERNS SYMMETRICAL ABOUT ISOLATOR CENTER-LINE

STANDARD RATINGS	SPRING COIL							
	COLOR		FREE		RATED			
	TYPE	SIZE	OUTER	INNER	HT.	O.D.	LOAD	DEFL.
FLS	1-35	BLUE			3.19	1.75	35	1.52
FLS	1-70	GREEN			3.19	1.75	70	1.36
FLS	1-120	GRAY			3.19	1.75	120	1.18
FLS	1-220	BROWN			3.19	1.75	220	1.07
FLS	1-370	ORANGE			3.19	1.75	370	0.96
FLS	1-500	BEIGE			3.19	1.75	500	1.00
FLS	1-600	CHROME			3.19	1.75	600	1.00
FLS	1-700	BEIGE	WHITE		3.19	1.75	700	1.00
FLS	1-805	CHROME	WHITE		3.19	1.75	805	1.01

1-35/805 REQUIRES 0.50 DIA. x 4.00 MIN. EMBED ANCHORS IN CONCRETE
 (ALLOWABLE LOADS BASED ON 3000 PSI MIN CONCRETE)
 1-35/805 ANCHOR BOLT TORQUE - 55 FT-LB, PULL TEST - 1750 LB



A2, B2, L2, T2, D2 DIMENSIONS REFER TO OPTIONAL BASE-PLATE USED TO INCREASE RATING WHEN ATTACHED TO CONCRETE

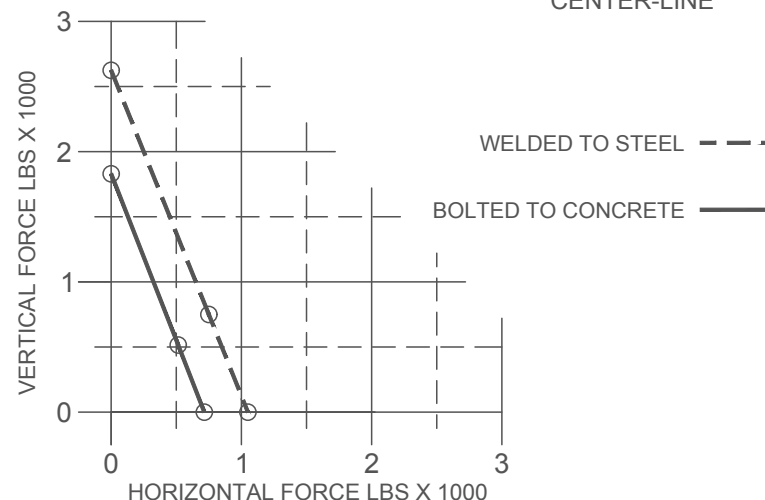


IF EQUIP SUPPORT STEEL IS 90° TO THE LONG ISOLATOR AXIS, AN ADD'L PLATE EQUAL IN THICKNESS TO THE TOP PLATE IS REQUIRED

SPECIFICATIONS:

- VERTICALLY AND Laterally RESTRAINED SPRING ISOLATOR WITH CONSTANT FREE AND OPERATING HEIGHT AND REPLACEABLE NEOPRENE SNUBBING ELEMENTS.
- MINIMUM COIL OVERLOAD OF 50%.
- MINIMUM Kx/Ky RATIO OF 1.0.
- ALL ELEMENTS SAFE AT SOLID LOADING.
- POWDER COATED COILS AND HOT DIPPED GALVANIZED BRACKET.
- HOUSINGS MAY BE USED FOR BLOCKING DURING EQUIPMENT ERECTION.

*ALL MOUNTING BOLT PATTERNS SYMMETRICAL ABOUT ISOLATOR CENTER-LINE



Computed horiz and vert seismic load combinations must fall within the restraint capacity envelope. Contact KNC for bolted to steel data.