

FLS 25 mm DEFLECTION ISOLATOR

S-I UNITS (mm AND kg)

TYPE	L	W	T	A	B	D	E	F	d	H	TT
1-50/3500	222	102	6	19	19	17	70	70	14	159	10

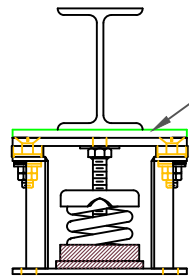
*ALL MOUNTING BOLT PATTERNS SYMMETRICAL ABOUT ISOLATOR CENTER-LINE

STANDARD RATINGS	SPRING COIL						
	TYPE	SIZE	COLOR	FREE	RATED	LOAD	DEFL.
FLS	1-50	BEIGE		HT.	O.D.		
FLS	1-100	CHROME		107	76	23	25
FLS	1-250	BLUE		107	76	45	25
FLS	1-450	GREEN		107	76	113	45
FLS	1-625	BLACK		107	76	204	39
FLS	1-800	GRAY		107	76	283	37
FLS	1-1000	RED		107	76	363	33
FLS	1-1250	BROWN		107	76	454	29
FLS	1-1700	ORANGE		107	76	567	28
FLS	1-2200	ORANGE	GRAY	107	76	771	24
FLS	1-2200	ORANGE	GRAY	107	76	998	26
FLS	1-2465	BLUE		107	76	1118	25
FLS	1-2865	BLUE	GRAY	107	76	1300	25
FLS	1-3500	BLUE	BROWN	107	76	1588	25

1-50/3500 REQUIRES 016 DIA. x 102 MIN. EMBED ANCHORS IN CONCRETE

(ALLOWABLE LOADS BASED ON 21 MPa MIN CONCRETE)

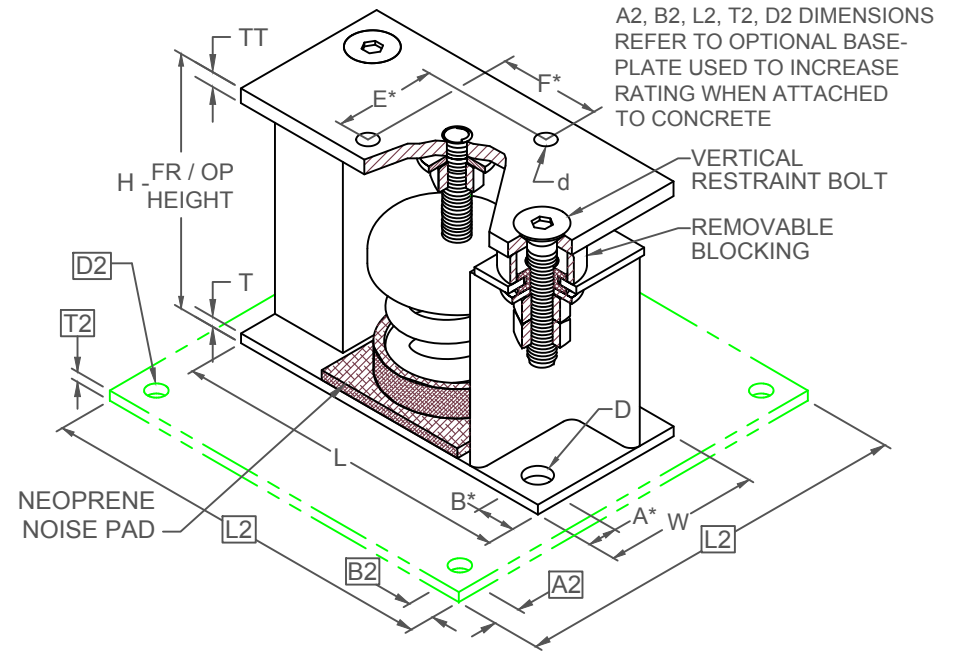
1-50/3500 ANCHOR BOLT TORQUE - 102 N-M, PULL TEST - 1211 kg



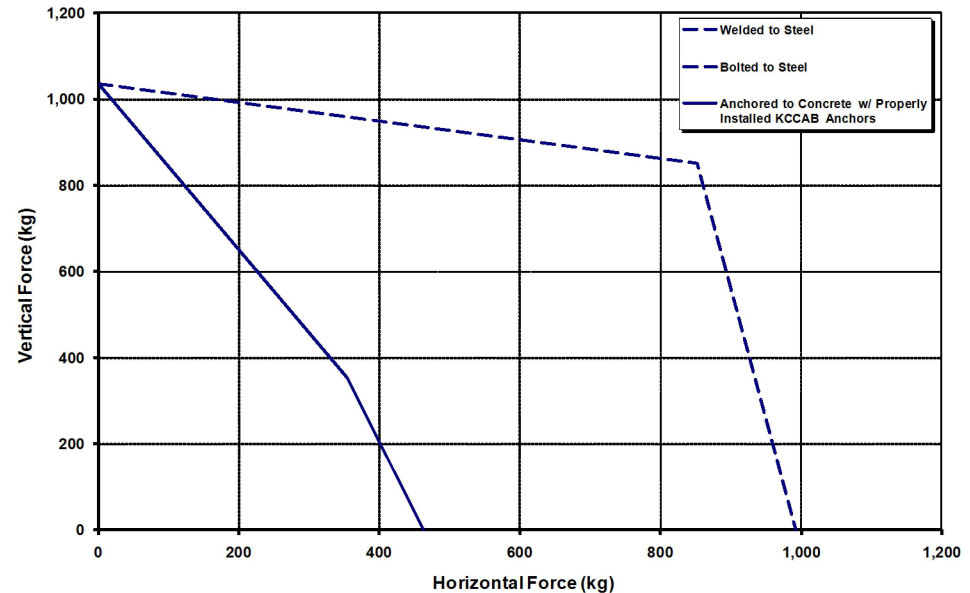
IF EQUIP SUPPORT STEEL IS 90° TO THE LONG ISOLATOR AXIS, AN ADD'L PLATE EQUAL IN THICKNESS TO THE TOP PLATE IS REQUIRED

SPECIFICATIONS:

- VERTICALLY AND Laterally RESTRAINED SPRING ISOLATOR WITH CONSTANT FREE AND OPERATING HEIGHT AND REPLACEABLE NEOPRENE SNUBBING ELEMENTS.
- WHEN PROPERLY ADJUSTED, MAX. CLEARANCE IN SNUBBING ELEMENTS IS LIMITED TO 0.25 INCHES.
- MINIMUM COIL OVERLOAD OF 50%.
- MINIMUM Kx/Ky RATIO OF 1.0.
- ALL ELEMENTS SAFE AT SOLID LOADING.
- POWDER COATED COILS AND HOT DIPPED GALVANIZED BRACKET.
- HOUSINGS MAY BE USED FOR BLOCKING DURING EQUIPMENT ERECTION.



FLS-1-50/3500 Seismic Capacity Envelopes



Computed horiz. and vert. seismic load combinations must fall within the restraint capacity envelope.



KINETICS NOISE CONTROL, INC
6300 IRELAN PL,
DUBLIN, OH 43017 USA
Ph: 614 889-0480, Fax: 614 889-0540
www.kineticsnoise.com

Model:
FLS-
1-50/3500

By: JMJ
Date: 07/10/02
Revised: 03/31/16/BB

Drawing No:
S-01.22-11
METRIC