

FLS 1" DEFLECTION ISOLATOR

IP UNITS (INCHES AND POUNDS)

TYPE	L	W	T	A	B	D	E	F	d	H	TT
1-2500/7000	14.00	4.00	0.38	1.00	0.50	0.69	2.75	2.75	0.56	6.88	0.63

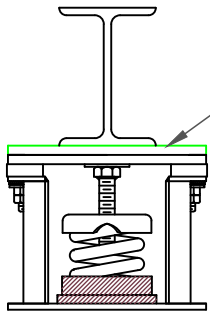
*ALL MOUNTING BOLT PATTERNS SYMMETRICAL ABOUT ISOLATOR CENTER-LINE

STANDARD RATINGS	SPRING COIL						
	COLOR		FREE HT.	O.D.	RATED		
	OUTER	INNER			LOAD	DEFL.	
FLS	1-2500	BROWN		4.20	3.00	2500	1.09
FLS	1-3400	ORANGE		4.20	3.00	3400	0.95
FLS	1-4400	ORANGE	GRAY	4.20	3.00	4400	1.00
FLS	1-4930	BLUE		4.20	3.00	4930	1.00
FLS	1-5730	BLUE	GRAY	4.20	3.00	5730	1.00
FLS	1-7000	BLUE	BROWN	4.20	3.00	7000	1.00

1-2500/7000 REQUIRES 0.62 DIA. x 4.00 MIN. EMBED ANCHORS IN CONCRETE

(ALLOWABLE LOADS BASED ON 3000 PSI MIN CONCRETE)

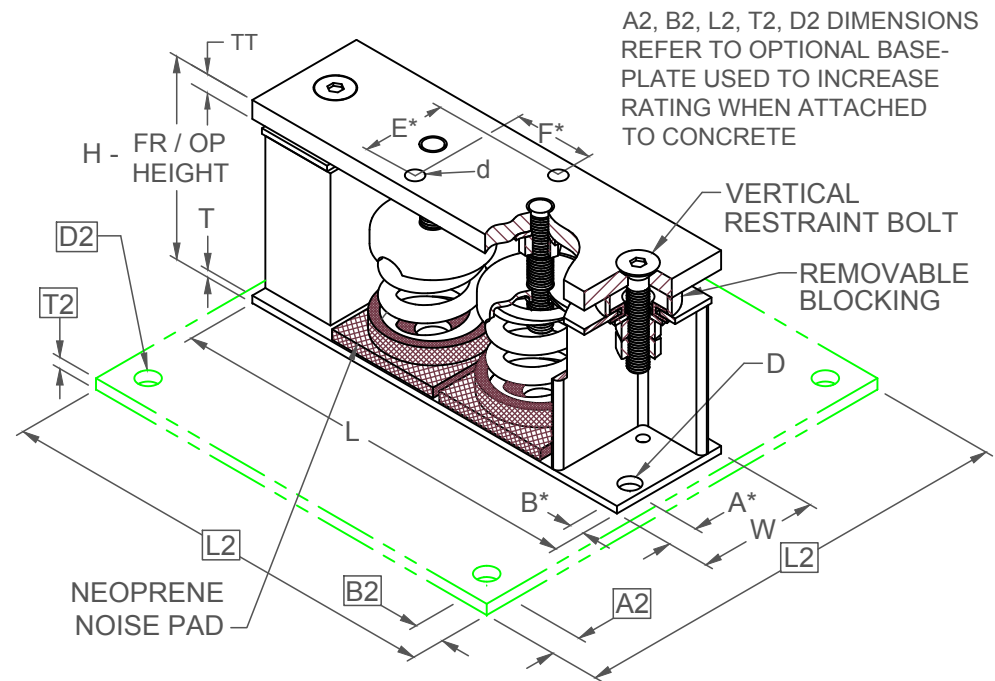
1-2500/7000 ANCHOR BOLT TORQUE - 75 FT-LB, PULL TEST - 2670 LB



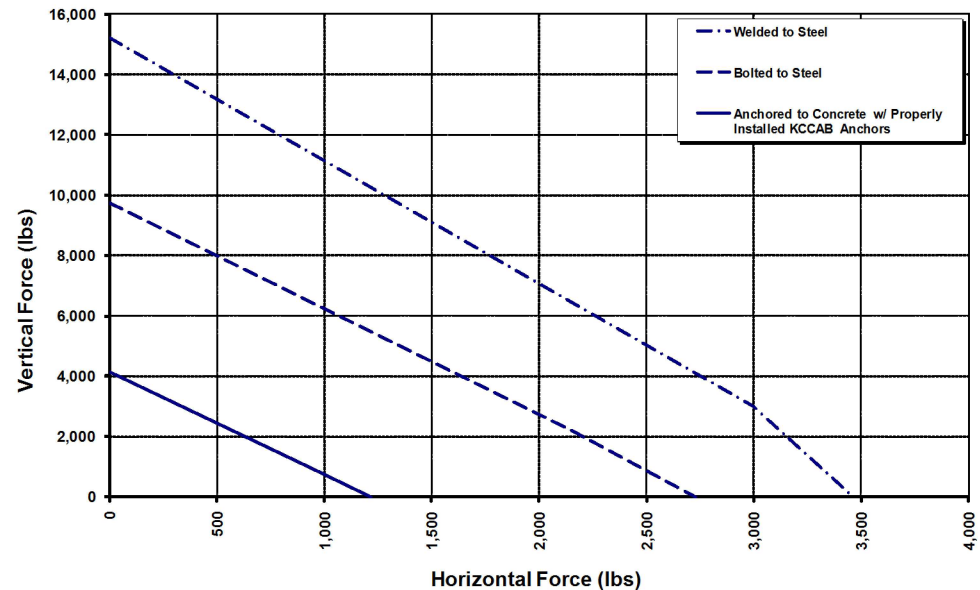
IF EQUIP SUPPORT STEEL IS 90° TO THE LONG ISOLATOR AXIS, AN ADD'L PLATE EQUAL IN THICKNESS TO THE TOP PLATE IS REQUIRED

SPECIFICATIONS:

- VERTICALLY AND Laterally RESTRAINED SPRING ISOLATOR WITH CONSTANT FREE AND OPERATING HEIGHT AND REPLACEABLE NEOPRENE SNUBBING ELEMENTS.
- WHEN PROPERLY ADJUSTED, MAX. CLEARANCE IN SNUBBING ELEMENTS IS LIMITED TO 0.25 INCHES.
- MINIMUM COIL OVERLOAD OF 50%.
- MINIMUM Kx/Ky RATIO OF 1.0.
- ALL ELEMENTS SAFE AT SOLID LOADING.
- POWDER COATED COILS AND HOT DIPPED GALVANIZED BRACKET.
- HOUSINGS MAY BE USED FOR BLOCKING DURING EQUIPMENT ERECTION.



FLS-1-2500/7000 Seismic Capacity Envelopes



Computed horiz. and vert. seismic load combinations must fall within the restraint capacity envelope.