

FLS 25 mm DEFLECTION ISOLATOR

S-I UNITS (mm AND kg)

TYPE	L	W	T	A	B	D	E	F	d	H	TT
1-5000/14000	419	203	10	25	25	21	140	140	17	191	16

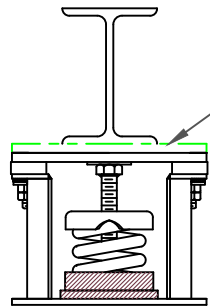
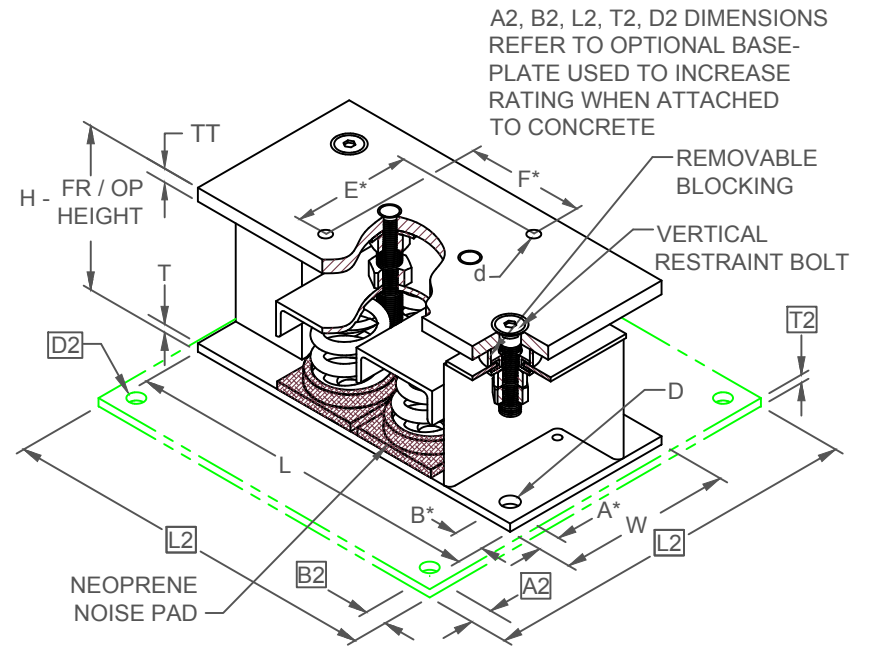
*ALL MOUNTING BOLT PATTERNS SYMMETRICAL ABOUT ISOLATOR CENTER-LINE

STANDARD RATINGS		SPRING COIL					
TYPE	SIZE	COLOR		FREE	O.D.	RATED	
		OUTER	INNER	HT.		LOAD	DEFL.
FLS	1-5000	BROWN		107	76	2268	28
FLS	1-6800	ORANGE		107	76	3084	24
FLS	1-8800	ORANGE	GRAY	107	76	3992	26
FLS	1-9860	BLUE		107	76	4472	25
FLS	1-11460	BLUE	GRAY	107	76	5198	25
FLS	1-14000	BLUE	BROWN	107	76	6350	25

1-5000/14000 REQUIRES 019 DIA. x 119 MIN. EMBED ANCHORS IN CONCRETE

(ALLOWABLE LOADS BASED ON 21 MPa MIN CONCRETE)

1-5000/14000 ANCHOR BOLT TORQUE - 203 N-M, PULL TEST - 1644 kg

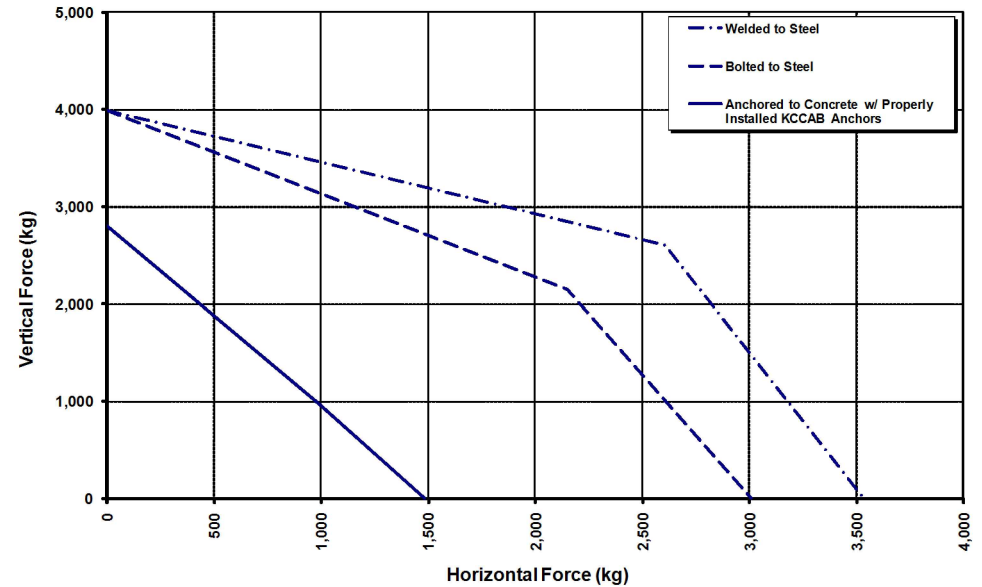


IF EQUIP SUPPORT STEEL IS 90° TO THE LONG ISOLATOR AXIS, AN ADD'L PLATE EQUAL IN THICKNESS TO THE TOP PLATE IS REQUIRED

SPECIFICATIONS:

- VERTICALLY AND Laterally RESTRAINED SPRING ISOLATOR WITH CONSTANT FREE AND OPERATING HEIGHT AND REPLACEABLE NEOPRENE SNUBBING ELEMENTS.
- WHEN PROPERLY ADJUSTED, MAX. CLEARANCE IN SNUBBING ELEMENTS IS LIMITED TO 0.25 INCHES.
- MINIMUM COIL OVERLOAD OF 50%.
- MINIMUM Kx/Ky RATIO OF 1.0.
- ALL ELEMENTS SAFE AT SOLID LOADING.
- POWDER COATED COILS AND HOT DIPPED GALVANIZED BRACKET.
- HOUSINGS MAY BE USED FOR BLOCKING DURING EQUIPMENT ERECTION.

FLS-1-5000/14000 Seismic Capacity Envelopes



Computed horiz. and vert. seismic load combinations must fall within the restraint capacity envelope.



KINETICS NOISE CONTROL, INC
6300 IRELAN PL,
DUBLIN, OH 43017 USA
Ph: 614 889-0480, Fax: 614 889-0540
www.kineticsnoise.com

Model:
FLS-1-
5000/14000

By: JMJ
Date: 07/09/02
Revised: 03/31/16 /BB

Drawing No:
S-01.22-13
METRIC