

# FLS 51 mm DEFLECTION ISOLATOR

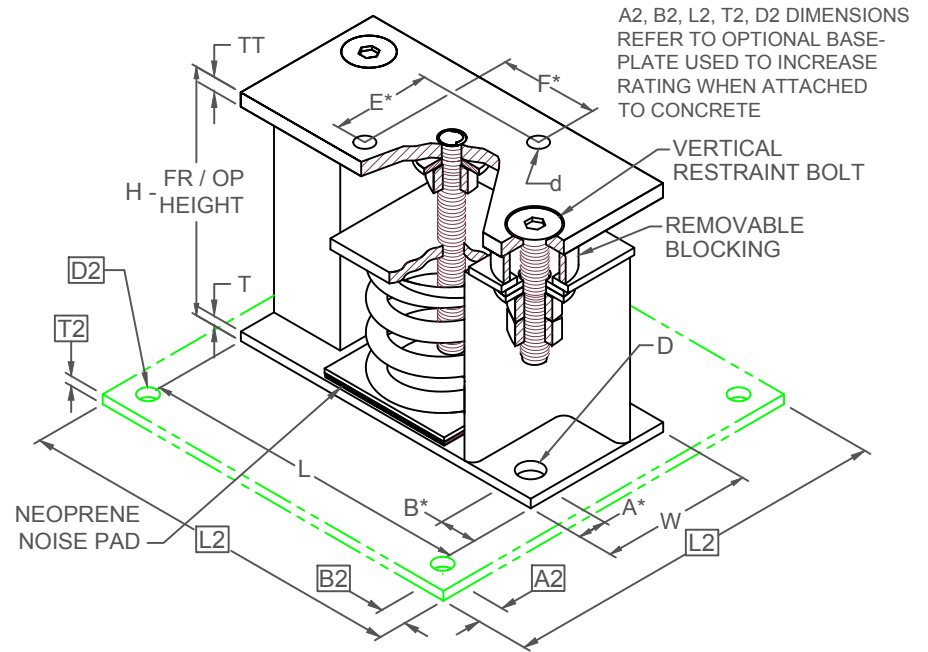
S-I UNITS (mm AND kg)

TYPE	L	W	T	A	B	D	E	F	d	H	TT
2-2000/4500	273	127	6	19	19	17	70	70	14	254	10

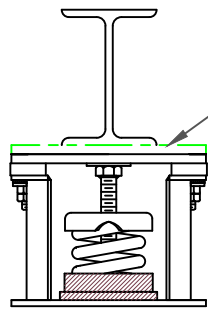
\*ALL MOUNTING BOLT PATTERNS SYMMETRICAL ABOUT ISOLATOR CENTER-LINE

STANDARD RATINGS	SPRING COIL							
	TYPE	SIZE	COLOR			FREE HT.	O.D.	RATED
OUTER			INNER1	INNER2	LOAD			DEFL.
FLS	2-2000	ORANGE			178	127	907	51
FLS	2-2500	BLUE			178	127	1134	51
FLS	2-2750	BLUE	BLUE		178	127	1247	51
FLS	2-3025	BLUE	GREEN		178	127	1372	51
FLS	2-3250	BLUE	BLACK		178	127	1474	51
FLS	2-3500	BLUE	ORANGE		178	127	1588	51
FLS	2-3900	BLUE	ORANGE	GREEN	178	127	1769	51
FLS	2-4100	BLUE	RED		178	127	1860	51
FLS	2-4500	BLUE	RED	GREEN	178	127	2041	51

2-2000/4500 REQUIRES 016 DIA. x 102 MIN. EMBED ANCHORS IN CONCRETE  
(ALLOWABLE LOADS BASED ON 21 MPa MIN CONCRETE)  
2-2000/4500 ANCHOR BOLT TORQUE - 102 N-M, PULL TEST - 1211 kg



A2, B2, L2, T2, D2 DIMENSIONS REFER TO OPTIONAL BASE-PLATE USED TO INCREASE RATING WHEN ATTACHED TO CONCRETE

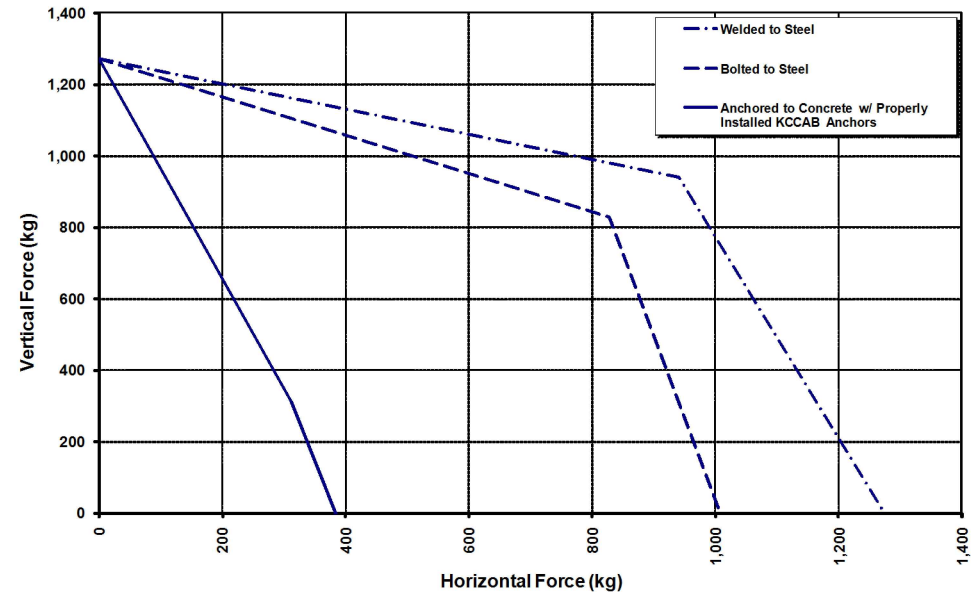


IF EQUIP SUPPORT STEEL IS 90° TO THE LONG ISOLATOR AXIS, AN ADD'L PLATE EQUAL IN THICKNESS TO THE TOP PLATE IS REQUIRED

### SPECIFICATIONS:

- VERTICALLY AND Laterally RESTRAINED SPRING ISOLATOR WITH CONSTANT FREE AND OPERATING HEIGHT AND REPLACEABLE NEOPRENE SNUBBING ELEMENTS.
- WHEN PROPERLY ADJUSTED, MAX. CLEARANCE IN SNUBBING ELEMENTS IS LIMITED TO 0.25 INCHES.
- MINIMUM COIL OVERLOAD OF 50%.
- MINIMUM Kx/Ky RATIO OF 1.0.
- ALL ELEMENTS SAFE AT SOLID LOADING.
- POWDER COATED COILS AND HOT DIPPED GALVANIZED BRACKET.
- HOUSINGS MAY BE USED FOR BLOCKING DURING EQUIPMENT ERECTION.

FLS-2-2000/4500 Seismic Capacity Envelopes



Computed horiz. and vert. seismic load combinations must fall within the restraint capacity envelope.



KINETICS NOISE CONTROL, INC  
6300 IRELAN PL,  
DUBLIN, OH 43017 USA  
Ph: 614 889-0480, Fax: 614 889-0540  
www.kineticsnoise.com

Model:  
FLS-2-  
2000/4500

By: JMJ  
Date: 07/09/02  
Revised: 03/31/16 / BB

Drawing No:  
S-01.22-22  
METRIC