

**FLS 4" DEFLECTION ISOLATOR**  
IP UNITS (INCHES AND POUNDS)

TYPE	L	W	T	A	B	D	E	F	d	H	TT
4-2250/5800	15.50	8.00	0.25	0.75	0.75	0.69	5.50	5.50	0.69	17.50	0.50

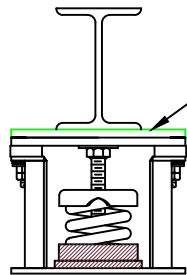
\*ALL MOUNTING BOLT PATTERNS SYMMETRICAL ABOUT ISOLATOR CENTER-LINE

STANDARD RATINGS		SPRING COIL					
TYPE	SIZE	COLOR		FREE		RATED	
		OUTER	INNER	HT.	O.D.	LOAD	DEFL.
FLS	4-2250	BEIGE		11.50	8.00	2250	4.00
FLS	4-2500	BEIGE	BLUE	11.50	8.00	2500	4.00
FLS	4-2750	BEIGE	GREEN	11.50	8.00	2750	4.00
FLS	4-3000	BEIGE	BLACK	11.50	8.00	3000	4.00
FLS	4-3250	BEIGE	RED	11.50	8.00	3250	4.00
FLS	4-3500	BEIGE	BROWN	11.50	8.00	3500	4.00
FLS	4-3850	BEIGE	ORANGE	11.50	8.00	3850	4.00
FLS	4-4200	CHROME		11.50	8.00	4200	4.00
FLS	4-4450	CHROME	BLUE	11.50	8.00	4450	4.00
FLS	4-4700	CHROME	GREEN	11.50	8.00	4700	4.00
FLS	4-4950	CHROME	BLACK	11.50	8.00	4950	4.00
FLS	4-5200	CHROME	RED	11.50	8.00	5200	4.00
FLS	4-5450	CHROME	BROWN	11.50	8.00	5450	4.00
FLS	4-5800	CHROME	ORANGE	11.50	8.00	5800	4.00

4-2250/5800 REQUIRES 0.62 DIA. x 4.00 MIN. EMBED ANCHORS IN CONCRETE

(ALLOWABLE LOADS BASED ON 3000 PSI MIN CONCRETE)

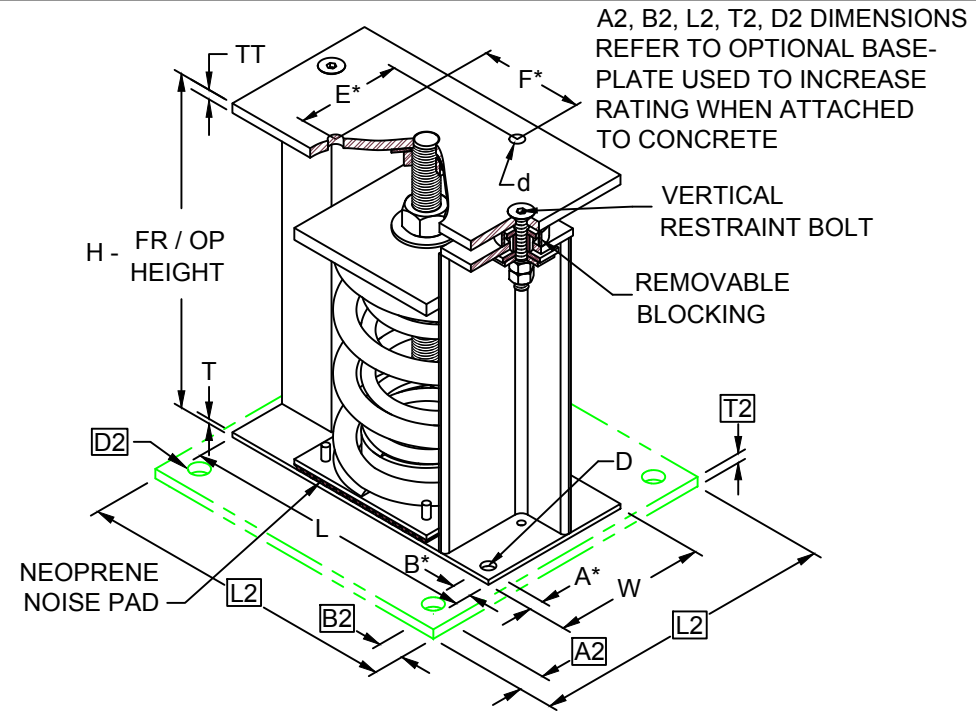
4-2250/5800 ANCHOR BOLT TORQUE - 75 FT-LB, PULL TEST - 2670 LB



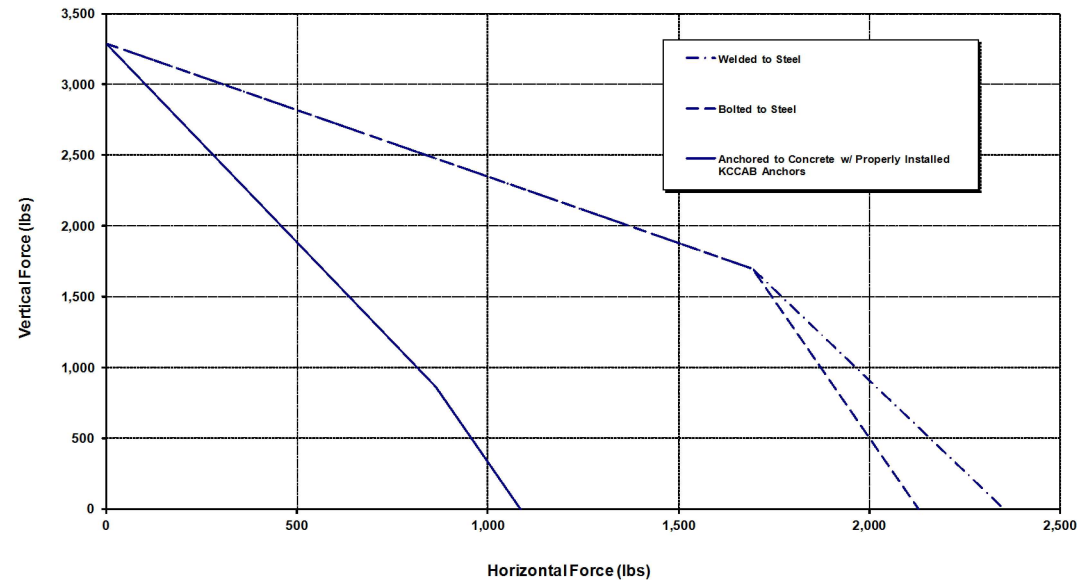
IF EQUIP SUPPORT STEEL IS 90° TO THE LONG ISOLATOR AXIS, AN ADD'L PLATE EQUAL IN THICKNESS TO THE TOP PLATE IS REQUIRED

**SPECIFICATIONS:**

- VERTICALLY AND LATERALLY RESTRAINED SPRING ISOLATOR WITH CONSTANT FREE AND OPERATING HEIGHT AND REPLACEABLE NEOPRENE SNUBBING ELEMENTS.
- WHEN PROPERLY ADJUSTED, MAX. CLEARANCE IN SNUBBING ELEMENTS IS LIMITED TO 0.25 (6) INCHES.
- MINIMUM COIL OVERLOAD OF 50%.
- MINIMUM Kx/Ky RATIO OF 1.0.
- ALL ELEMENTS SAFE AT SOLID LOADING.
- POWDER COATED COILS AND HOT DIPPED GALVANIZED HOUSING.
- HOUSINGS MAY BE USED FOR BLOCKING DURING EQUIPMENT ERECTION.



FLS-4-2250/5800 Seismic Capacity Envelopes



Computed horizontal and vertical seismic combinations must fall within the restraint capacity envelope



KINETICS NOISE CONTROL, INC  
6300 IRELAN PL,  
DUBLIN, OH 43017 USA  
Ph: 614 889-0480, Fax: 614 889-0540  
www.kineticsnoise.com

Model:  
**FLS-4-2250/5800**

By: **JMJ**  
Date: **07/09/02**  
Revised: **03/31/16 /BB**

Drawing No:  
**S-01.22-42**