

ISOGRID 40/160									
IP UNITS (INCHES AND POUNDS)									
TYPE	A	B	D1	D2	H	H1	L	W	
ISOGRID-40/160	0.50	0.88	0.27	0.31	3.13	1.38	1.57	2.19	

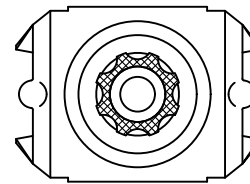
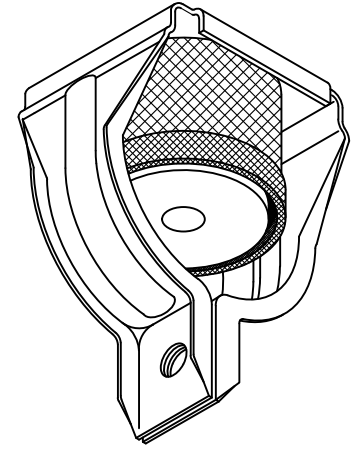
STANDARD RATINGS					
TYPE	SIZE	IDENTIFICATION COLOR	ISOLATOR		RECOMMENDED LAYERS OF DRYWALL
			LOAD	DEFL.	
ISOGRID	40	WHITE	41	0.20	1
ISOGRID	105	GREEN	106	0.20	2
ISOGRID	160	RED	158	0.20	3

ISOGRID 40/160									
SI UNITS (mm AND kg)									
TYPE	A	B	D1	D2	H	H1	L	W	
ISOGRID-40/160	13	22	7	8	79	36	40	56	

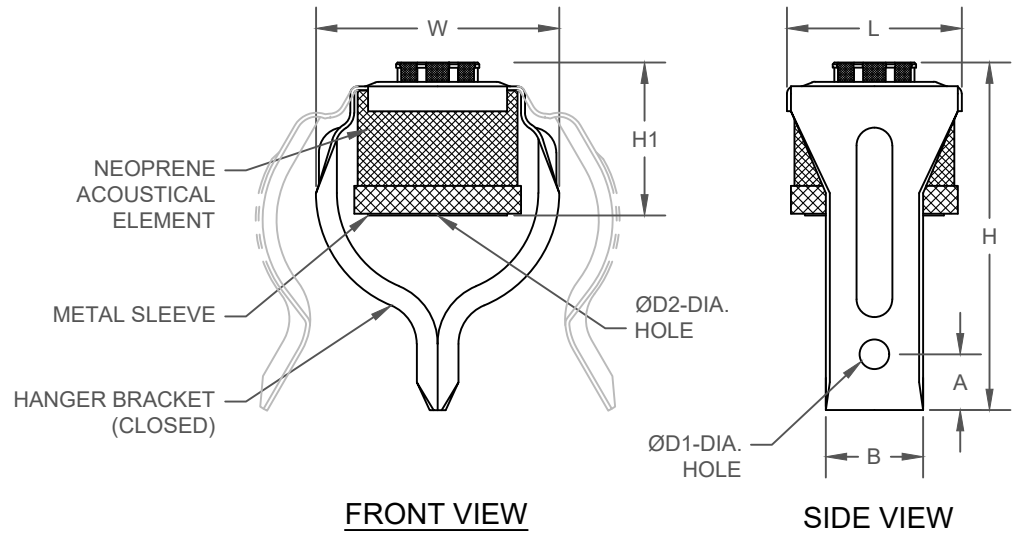
STANDARD RATINGS					
TYPE	SIZE	IDENTIFICATION COLOR	ISOLATOR		RECOMMENDED LAYERS OF DRYWALL
			LOAD	DEFL.	
ISOGRID	40	WHITE	19	5	1
ISOGRID	105	GREEN	48	5	2
ISOGRID	160	RED	72	5	3

**SPECIFICATIONS:**

- HANGER BRACKETS ARE BRIGHT ZINC PLATED.
- ISOLATION HANGERS HAVE A TYPICAL OVERLOAD OF 50%.
- HANGER BRACKETS WILL CARRY (5) TIMES OVERLOAD WITHOUT FAILURE.



TOP VIEW



FRONT VIEW

SIDE VIEW

SCALE: N.T.S



ISOGRID QUICK-ATTACH CEILING  
ISOLATION PAD HANGER

Revised  
8/6/2018

Drawing No.  
AA002001

[kineticsnoise.com/isogrid](http://kineticsnoise.com/isogrid)