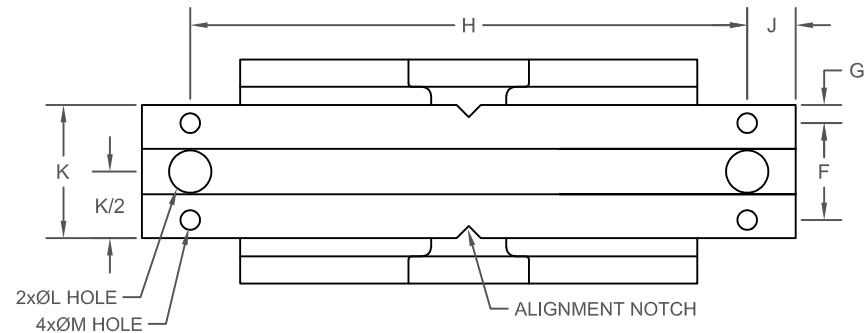


KSCH-22/223-APB 1" DEFLECTION ISOLATION HANGERS

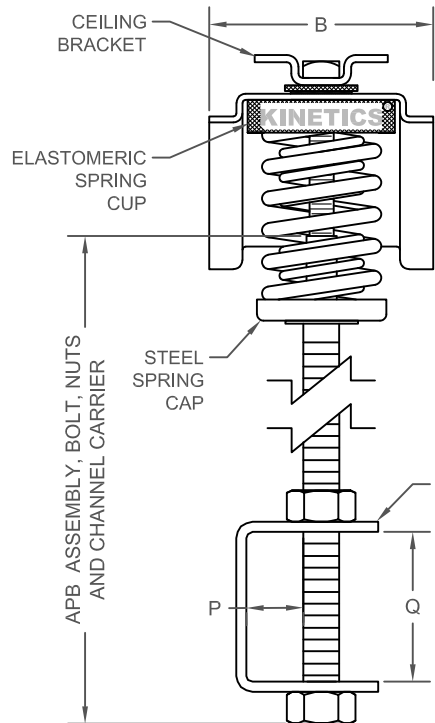
IP UNITS (INCHES AND POUNDS) SI UNITS [MM AND KG]

A	B	C	D	E	F	G	H	J	K	ØL	ØM	ØN	P	Q
6.75 [171.5]	2.31 [58.7]	2.81 [71.3]	2.50 [63.5]	1.93 [49.0]	1.00 [25.4]	0.19 [4.83]	5.75 [146.0]	0.50 [12.7]	1.38 [35.1]	0.44 [11.2]	0.20 [5.1]	0.38 [9.66]	0.66 [16.8]	1.56 [39.6]

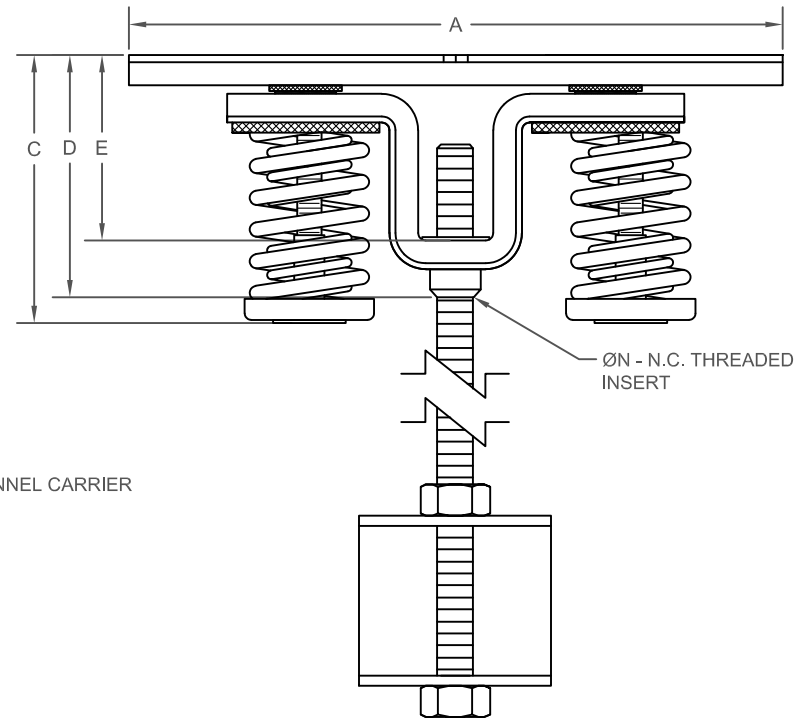
MODEL	SPRING COLOR		RATED	
	OUTER	INNER	LOAD	DEFL.
			LBS [KG]	IN [MM]
KSCH-22-APB	GRAY		22.00 [10]	0.99 [25.2]
KSCH-35-APB	BLUE		35.00 [15]	0.99 [25.2]
KSCH-48-APB	BLACK		48.00 [21.8]	1.00 [25.4]
KSCH-73-APB	GRAY	SILVER	73.00 [33.1]	1.00 [25.4]
KSCH-90-APB	BROWN		90.00 [40.8]	1.00 [25.4]
KSCH-120-APB	ORANGE		120.00 [54.4]	1.00 [25.4]
KSCH-140-APB	BROWN	SILVER	140.00 [63.5]	1.00 [25.4]
KSCH-172-APB	RED		172.00 [78]	1.00 [25.4]
KSCH-223-APB	RED	SILVER	223.00 [101.2]	1.00 [25.4]



TOP VIEW



SIDE VIEW



FRONT VIEW

SCALE: 6" = 1'-0"

- SPRING CAPACITIES HAVE A TYPICAL OVERLOAD CAPACITY OF 50%.
- HANGER BRACKET WILL CARRY (5) TIMES OVERLOAD WITHOUT FAILURE.
- HANGER BRACKETS ARE ELECTRO-ZINC PLATED.
- SPRING COILS ARE POWDER COATED.
- SPRING COILS ARE SHIPPED PRE-LOADED 3/8".



KSCH UNISTRUT OR ANCHOR
INSTALLATION BRACKET W/ APB

Revised
01/09/2020

Drawing No.
AA001976

kineticsnoise.com/ksch