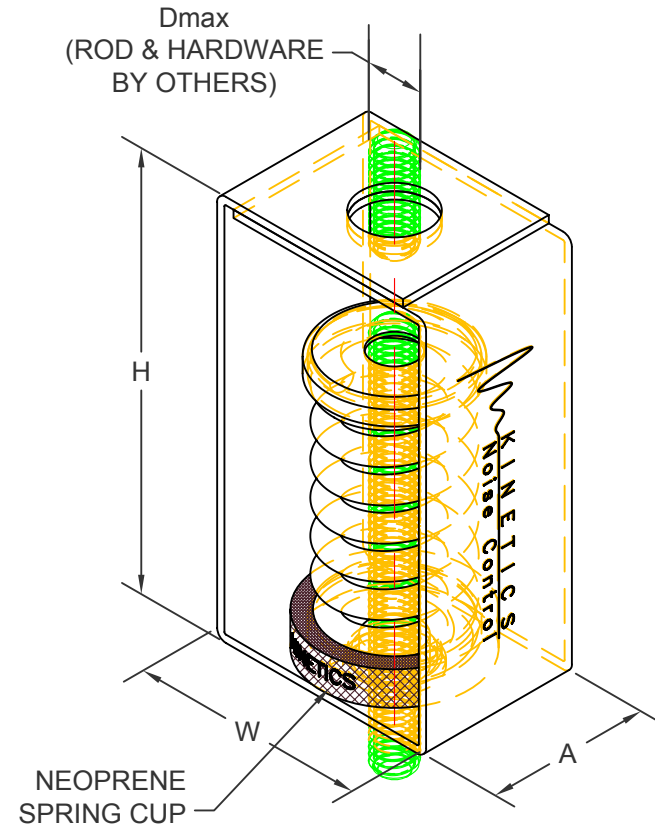


SHAA ISOLATION HANGERS IP UNITS (INCHES AND POUNDS)

TYPE	H	W	A	D _{MAX}
17/270	3.97	2.15	1.50	0.38

STANDARD RATINGS				SPRING COIL			OVERLOAD @ RATED DEFLECTION %
TYPE	SIZE	LOAD	DEFL.	COLOR	FREE HT.	O.D.	
SHAA	17	17	0.97	BLUE	2.50	1.23	91
SHAA	25	25	1.04	BLACK	2.50	1.23	55
SHAA	45	45	1.00	BROWN	2.50	1.23	58
SHAA	55	55	0.92	ORANGE	2.50	1.23	56
SHAA	71	71	0.82	RED	2.50	1.23	52
* SHAA	90	90	0.78	BEIGE	2.50	1.23	47
* SHAA	130	130	0.61	WHITE	2.50	1.23	40
* SHAA	270	270	0.50	PURPLE	2.50	1.23	40



SPECIFICATIONS:

- SPRING ELEMENTS ARE POWDER COATED.
- LOAD PLATES AND BRACKETS ARE BRIGHT ZINC PLATED.
- ISOLATION HANGERS HAVE A TYPICAL OVERLOAD OF 50% TO SOLID EXCEPT AS INDICATED (*).
- SPRING ELEMENTS ARE SAFE AT SOLID LOADING.
- HANGER BRACKETS WILL CARRY (5) TIMES OVERLOAD WITHOUT FAILURE.
- ISOLATION HANGERS HAVE A NEOPRENE BOTTOM SPRING CUP.



KINETICS NOISE CONTROL, INC
6300 IRELAN PL,
DUBLIN, OH 43017 USA
Ph: 614 889-0480, Fax: 614 889-0540
www.kineticsnoise.com

Model:

SHAA
-17/270

By: BB

Date: 12/07/05

Revised: 02/13/17 / BB

Drawing No:

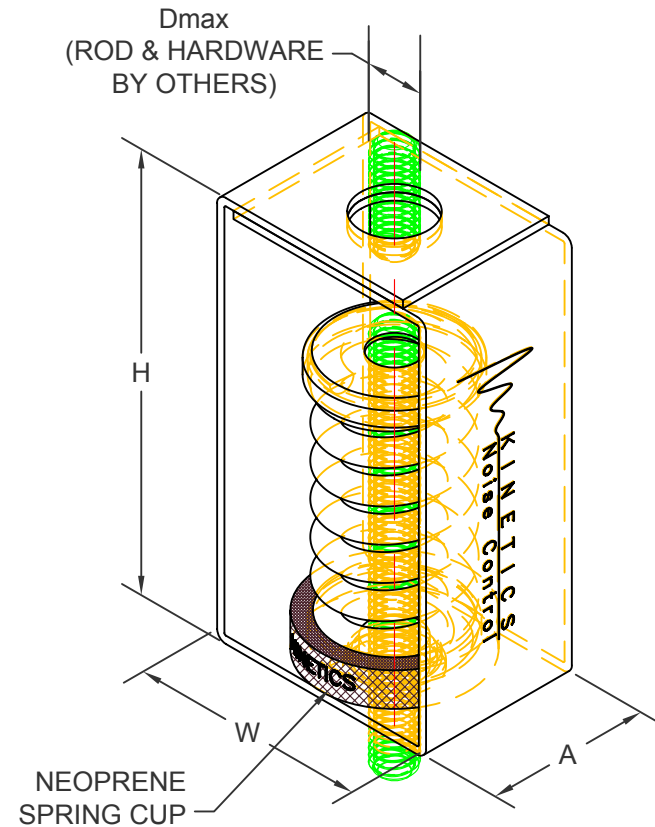
S-03.42-11

SHAA ISOLATION HANGERS

S-I UNITS (mm AND kg)

TYPE	H	W	A	DMAX
17/270	101	55	38	10

STANDARD RATINGS				SPRING COIL			OVERLOAD @ RATED DEFLECTION %
				COLOR	FREE HT.	O.D.	
TYPE	SIZE	LOAD	DEFL.				
SHAA	17	8	25	BLUE	64	31	91
SHAA	25	11	26	BLACK	64	31	55
SHAA	45	20	26	BROWN	64	31	58
SHAA	55	25	23	ORANGE	64	31	56
SHAA	71	32	21	RED	64	31	52
* SHAA	90	41	20	BEIGE	64	31	47
* SHAA	130	59	15	WHITE	64	31	40
* SHAA	270	122	13	PURPLE	64	31	40



SPECIFICATIONS:

- SPRING ELEMENTS ARE POWDER COATED.
- LOAD PLATES AND BRACKETS ARE BRIGHT ZINC PLATED.
- ISOLATION HANGERS HAVE A TYPICAL OVERLOAD OF 50% TO SOLID EXCEPT AS INDICATED (*).
- SPRING ELEMENTS ARE SAFE AT SOLID LOADING.
- HANGER BRACKETS WILL CARRY (5) TIMES OVERLOAD WITHOUT FAILURE.
- ISOLATION HANGERS HAVE A NEOPRENE BOTTOM SPRING CUP.



KINETICS NOISE CONTROL, INC
6300 IRELAN PL,
DUBLIN, OH 43017 USA
Ph: 614 889-0480, Fax: 614 889-0540
www.kineticsnoise.com

Model:

SHAA
-17/270

By: BB

Date: 12/07/05

Revised: 02/13/17 / BB

Drawing No:

S-03.42-11
METRIC