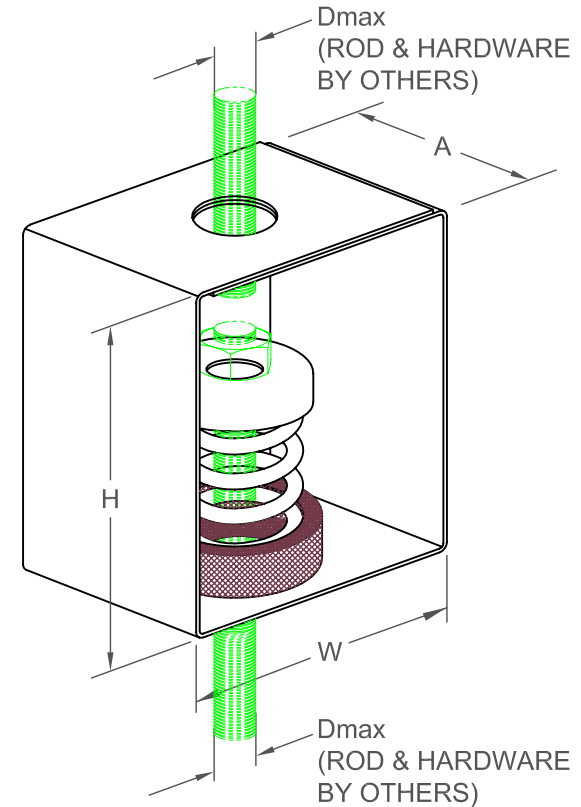


SHAB 0.50" DEFLECTION ISOLATION HANGERS

IP UNITS (INCHES AND POUNDS)

TYPE	H	W	A	Dmax
15/70	2.72	2.15	1.50	0.38

STANDARD RATINGS				SPRING COIL		
TYPE	SIZE	LOAD	DEFL.	COLOR	FREE HT.	O.D.
SHAB	15	15	0.47	BLUE	1.50	1.23
SHAB	30	30	0.56	GRAY	1.50	1.23
SHAB	50	50	0.46	SILVER	1.50	1.23
SHAB	70	70	0.45	GREEN	1.50	1.23



SPECIFICATIONS:

- POWDER COATED SPRING ELEMENTS.
- BRACKETS AND HARDWARE ARE BRIGHT ZINC PLATED.
- ISOLATION HANGERS HAVE A TYPICAL OVERLOAD OF 50%.
- ISOLATION HANGERS HAVE A MINIMUM Kx/Ky RATIO OF 1.2.
- SPRING ELEMENTS ARE SAFE AT SOLID LOADING.
- HANGER BRACKETS WILL CARRY (5) TIMES OVERLOAD WITHOUT FAILURE.
- ISOLATION HANGERS HAVE A NEOPRENE BOTTOM SPRING CUP.



KINETICS NOISE CONTROL, INC
 6300 IRELAN PL,
 DUBLIN, OH 43017 USA
 Ph: 614 889-0480, Fax: 614 889-0540
 www.kineticsnoise.com

Model:
**SHAB
 15/70**

By: **BB**
 Date: **04/29/05**
 Revised: **12/07/05 / BB**

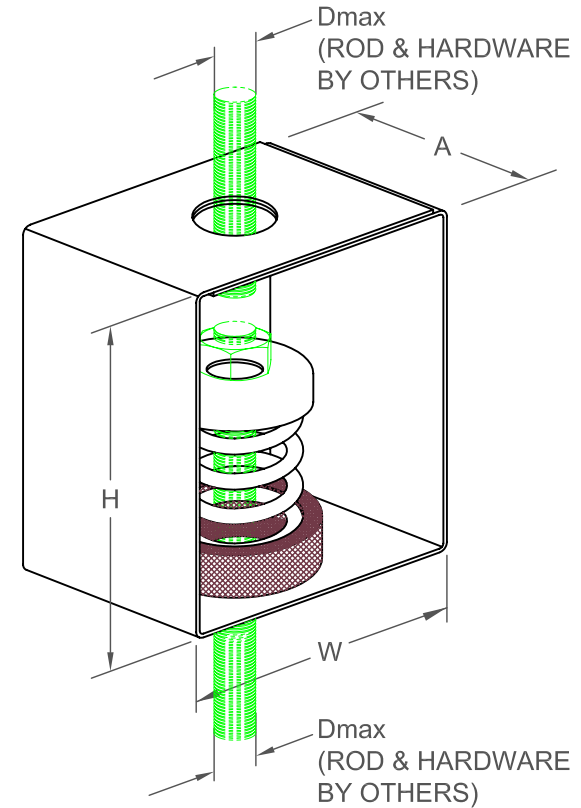
Drawing No:
S-03.42-12

SHAB 13 mm DEFLECTION ISOLATION HANGERS

S-I UNITS (mm AND kg)

TYPE	H	W	A	Dmax
15/70	69	55	38	10

STANDARD RATINGS				SPRING COIL		
TYPE	SIZE	LOAD	DEFL.	FREE		
				COLOR	HT.	O.D.
SHAB	15	7	12	BLUE	38	31
SHAB	30	14	14	GRAY	38	31
SHAB	50	23	12	SILVER	38	31
SHAB	70	32	11	GREEN	38	31



SPECIFICATIONS:

- POWDER COATED SPRING ELEMENTS.
- BRACKETS AND HARDWARE ARE BRIGHT ZINC PLATED.
- ISOLATION HANGERS HAVE A TYPICAL OVERLOAD OF 50%.
- ISOLATION HANGERS HAVE A MINIMUM Kx/Ky RATIO OF 1.2.
- SPRING ELEMENTS ARE SAFE AT SOLID LOADING.
- HANGER BRACKETS WILL CARRY (5) TIMES OVERLOAD WITHOUT FAILURE.
- ISOLATION HANGERS HAVE A NEOPRENE BOTTOM SPRING CUP.



KINETICS NOISE CONTROL, INC
 6300 IRELAN PL,
 DUBLIN, OH 43017 USA
 Ph: 614 889-0480, Fax: 614 889-0540
 www.kineticsnoise.com

Model:
**SHAB
 15/70**

By: **BB**
 Date: **04/29/05**
 Revised: **12/07/05 / BB**

Drawing No:
**S-03.42-12
 METRIC**