

LSM 1" DEFLECTION ISOLATOR, 4.0" SLAB, 2.0" AIR SPACE

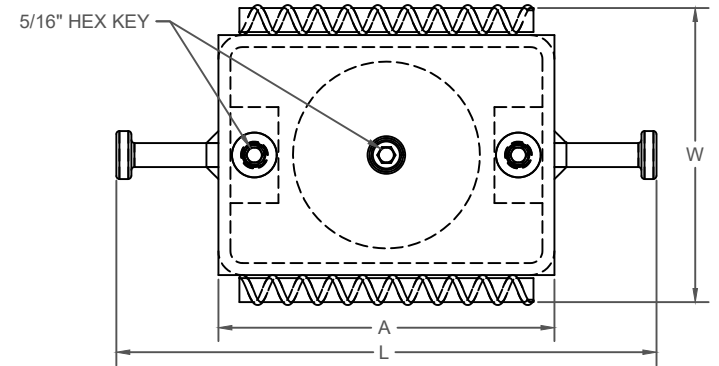
STANDARD RATINGS	SPRING COIL		RATED LOAD*
	OUTER	INNER	
SIZE	COLOR	COLOR	
LSM 1-50-4/2	BEIGE		50 [22.7]
LSM 1-100-4/2	CHROME		100 [45.4]
LSM 1-140-4/2	BLUE		140 [63.5]
LSM 1-175-4/2	CHROME	GREEN	175 [79.4]
LSM 1-235-4/2	CHROME	BLUE	235 [106.6]
LSM 1-293-4/2	GREEN		293 [132.9]
LSM 1-368-4/2	GREEN	GREEN	368 [167.9]
LSM 1-434-4/2	BLACK		434 [196.9]
LSM 1-569-4/2	BLACK	BLUE	569 [258.1]
LSM 1-611-4/2	GRAY		611 [277.2]
LSM 1-746-4/2	GRAY	BLUE	746 [338.4]
LSM 1-870-4/2	RED		870 [394.6]
LSM 1-1005-4/2	RED	BLUE	1005 [455.9]
LSM 1-1147-4/2	BROWN		1147 [520.3]
LSM 1-1270-4/2	RED	GRAY	1270 [576.1]
LSM 1-1547-4/2	BROWN	GRAY	1547 [701.7]
LSM 1-1790-4/2	ORANGE		1790 [811.9]
LSM 1-2190-4/2	ORANGE	GRAY	2190 [993.4]
LSM 1-2465-4/2	BLUE		2465 [1118.1]
LSM 1-2865-4/2	BLUE	GRAY	2865 [1299.5]
LSM 1-3500-4/2	BLUE	BROWN	3500 [1587.6]

* RATED LOAD EQUALS THE AMOUNT OF LOAD TO ACHIEVE SPRING DEFLECTION OF 1".

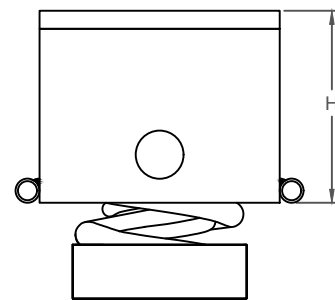
SPECIFICATIONS:

- MINIMUM Kx/Ky RATIO OF 1.0.
- POWDER COATED COILS AND STEEL LID.
- BRIGHT ZINC PLATED HARDWARE.
- CANISTERS ARE PLAIN.
- ALL THREADED MEMBERS ARE UNC.

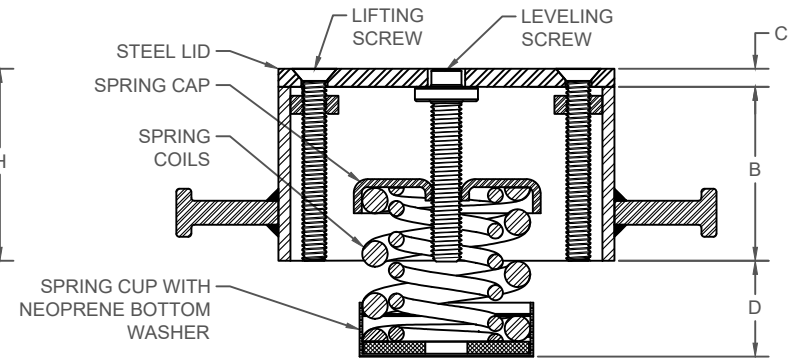
TYPE	IP UNITS (INCHES AND POUNDS)		SI UNITS [MM AND KG]				
	L	W	H	A	B	C	D
LSM 1-50-4/2 to LSM 1-3500-4/2	11.25 [285.8]	6.00 [152.4]	4.00 [101.6]	7.00 [177.8]	3.63 [92.2]	0.38 [9.7]	2.00 [50.8]



TOP VIEW



SIDE VIEW



FRONT SECTION VIEW

DIMENSION FORMAT: IN [mm]

SCALE: 3" = 1'-0"



LSM 1" DEFLECTION ISOLATOR
4.0" SLAB, 2.0" AIR SPACE

Revised
4/10/2020

Drawing No.
AA001985

kineticsnoise.com/lsm