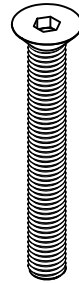
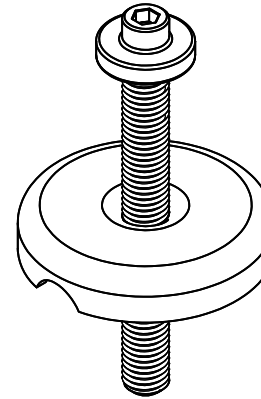


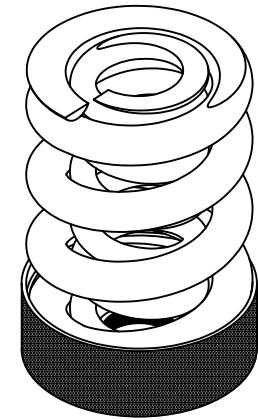
STEEL LID
(POWDER
COATED GRAY)



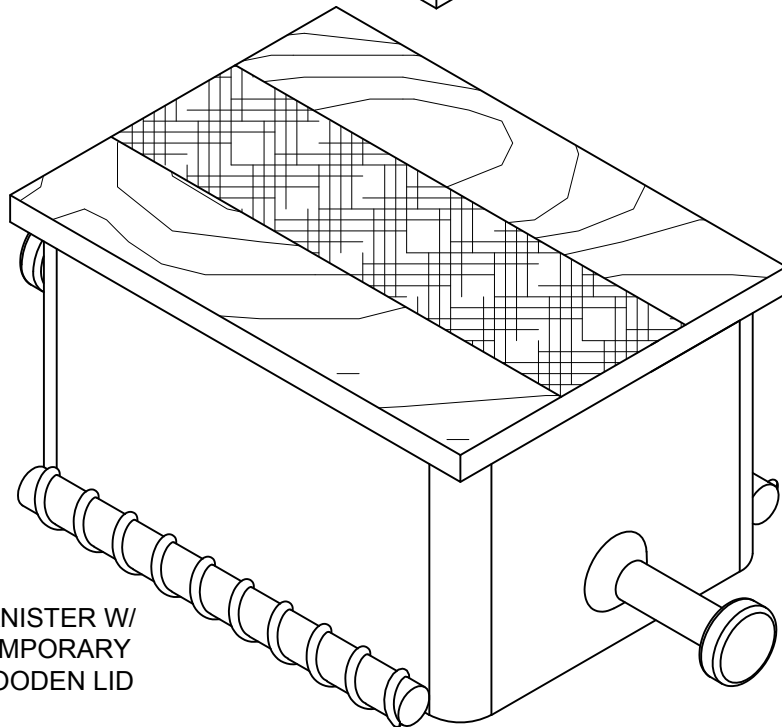
LIFTING
SCREW (X2)
(5/16" HEX KEY)



LEVELING SCREW W/
SPRING CAP
(5/16" HEX KEY)



SPRING ASSEMBLY



CANISTER W/
TEMPORARY
WOODEN LID

1" MODELS	SPRING(S)
1-50	Beige
1-100	Chrome
1-140	Blue
1-175	Chrome/Green
1-235	Chrome/Blue
1-293	Green
1-368	Green/Green
1-434	Black
1-569	Black/Blue
1-611	Gray
1-746	Gray/Blue
1-870	Red
1-1005	Red/Blue
1-1147	Brown
1-1270	Red/Gray
1-1547	Brown/Gray
1-1790	Orange
1-2190	Orange/Gray
1-2465	Blue
1-2865	Blue/Gray
1-3500	Blue/Brown

2" MODELS	SPRING(S)
2-50	Gray
2-68	Beige
2-93	Brown
2-113	Gray
2-125	Blue
2-188	Blue/Brown
2-250	Green
2-313	Green/Brown
2-375	Black
2-438	Black/Brown
2-498	Orange
2-560	Orange/Brown
2-650	Black/Brown/Yellow
2-698	Orange/Green
2-800	Red
2-910	Orange/Green/Yellow
2-1000	Red/Green
2-1113	Red/Green/White
2-1225	Silver/Green
2-1413	Silver/Pink/White
2-1513	Silver/Pink/Yellow

SCALE: N.T.S.