

### PSB-M WALL RESTRAINT

IP UNITS (INCHES AND POUNDS)

TYPE	A	B	C	D	H	L	W
175/2000	0.56	0.69	5.13	0.38	9.66	6.50	3.00

### PSB-M WALL RESTRAINT

SI UNITS (mm AND kg)

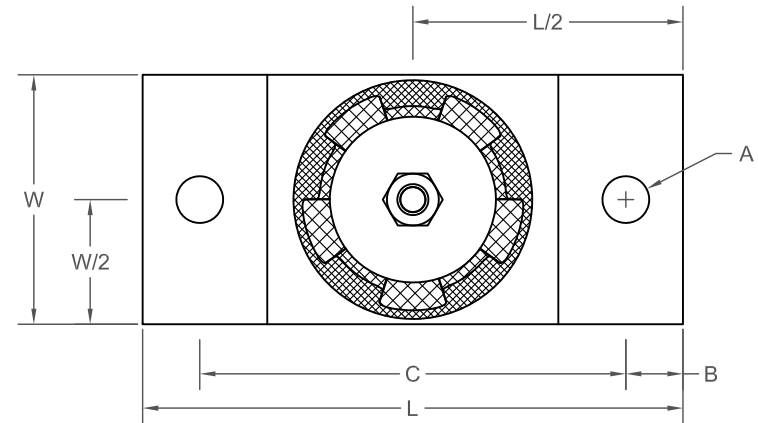
TYPE	A	B	C	D	H	L	W
175/2000	14	17	130	10	245	165	76

### STANDARD RATINGS

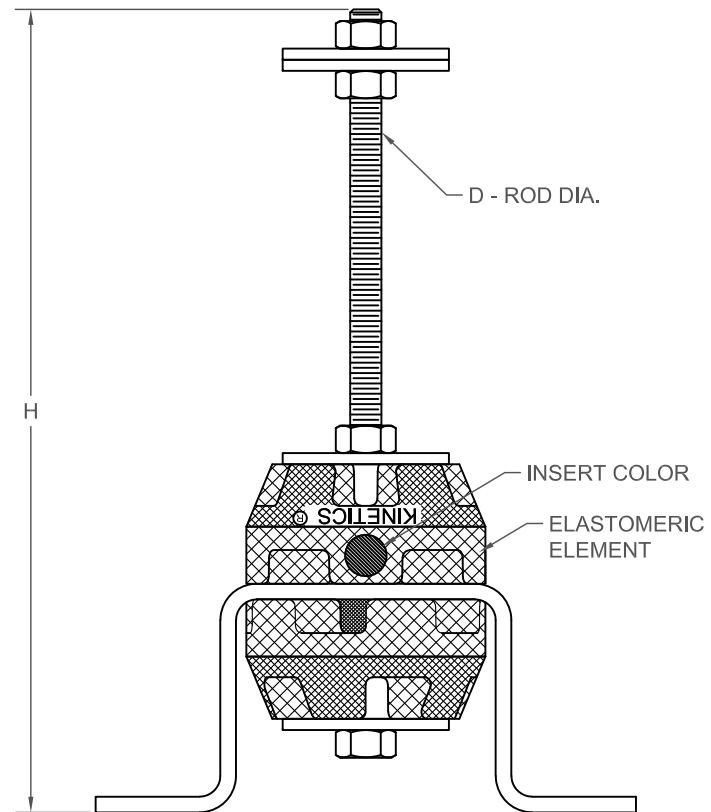
TYPE	SIZE	INSERT COLOR	DURO-METER	RATED LOAD (LBS)	RATED LOAD (KG)
PSB	175	RED	40	175	79
PSB	300	GREEN	50	300	136
PSB	450	WHITE	60	450	204
PSB	750	PURPLE	70	750	340
PSB	1100	YELLOW	80	1100	499
PSB	2000	PINK	90	2000	907

#### SPECIFICATIONS:

- ISOLATORS ARE DESIGNED TO LIMIT WALL MOTION.
- ALL HARDWARE IS ZINC PLATED.



TOP VIEW



FRONT VIEW

SCALE: N.T.S.



PSB-175/2000-M  
MASONRY WALL SWAY BRACE

Revised  
07/11/19

Drawing No.  
AA002009

[kineticsnoise.com/psb](http://kineticsnoise.com/psb)