

PSB-S-75/125					
I-P UNITS (INCHES AND POUNDS)					
MODEL	RATED			DURO	COLOR
	LOAD	DEFL.	NATURAL FREQUENCY		
PSB-S-75	75.0	0.10	10.0	35	BLACK
PSB-S-125	125.0	0.10	10.0	60	BLACK

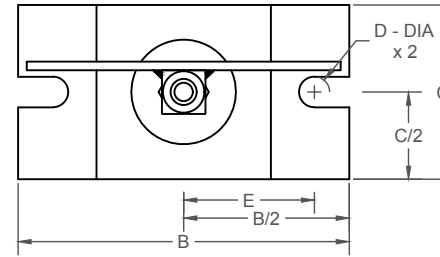
DIMENSION													
A	B	C	D	E	F	G	H	J	K	L	M	N	
6.45	4.75	2.50	0.44	1.88	1.88	0.44	4.50	1.50	1.75	1.00	0.31	0.19	

PSB-S-75/125					
SI UNITS (mm AND kg)					
MODEL	RATED			DURO	COLOR
	LOAD	DEFL.	NATURAL FREQUENCY		
PSB-S-75	34	3	10.0	35	BLACK
PSB-S-125	57	3	10.0	60	BLACK

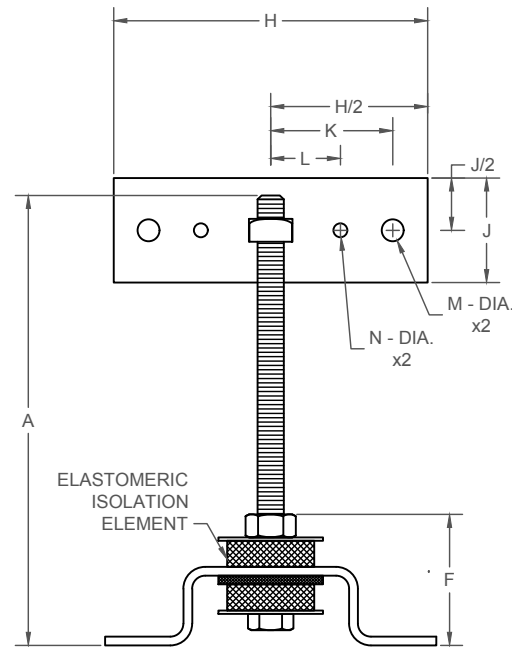
DIMENSION													
A	B	C	D	E	F	G	H	J	K	L	M	N	
164	121	64	11	48	48	11	114	38	44	25	8	5	

SPECIFICATIONS:

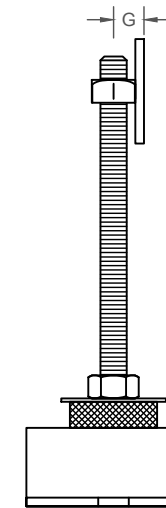
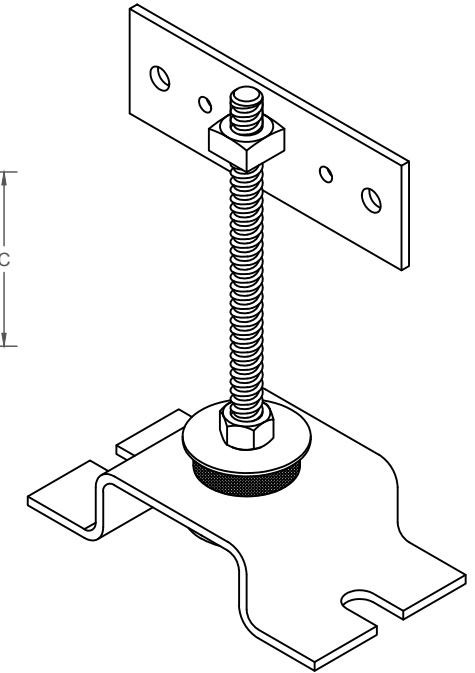
- ISOLATORS ARE DESIGNED TO LIMIT WALL MOTION.
- ISOLATOR BRACKETS AND HARDWARE ARE ZINC PLATED STEEL.



TOP VIEW



FRONT VIEW



SIDE VIEW

SCALE: N.T.S.