

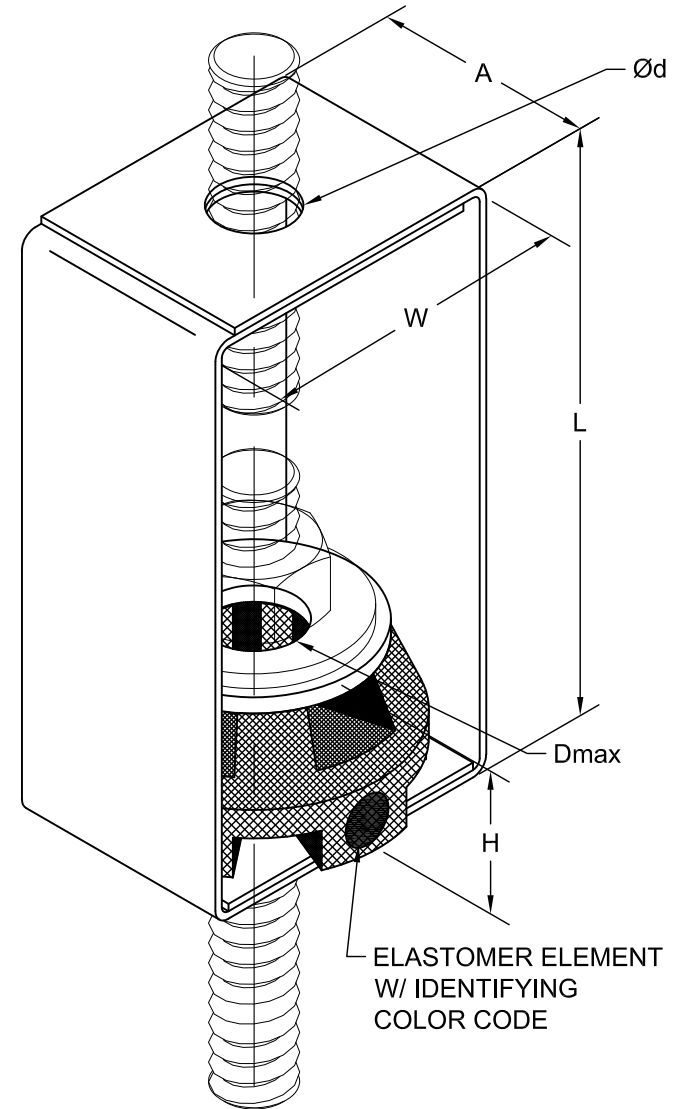
# RH-B HANGER

IP UNITS (INCHES AND POUNDS)

TYPE	L	W	A	Dmax	H	Ød
RH-125B/450B	5.91	3.15	2.25	0.75	1.60	0.81

## STANDARD RATINGS

TYPE	SIZE	RATED		ISOLATOR COLOR
		LOAD	DEFL.	
RH	125B	125	0.32	BLACK
RH	175B	175	0.33	RED
RH	300B	300	0.49	GREEN
RH	450B	450	0.48	WHITE



### SPECIFICATIONS:

- HANGER BRACKETS AND LOAD PLATES ARE BRIGHT ZINC PLATED.
- RATED LOADS ARE MAXIMUM CONTINUOUS OPERATING LOADS.
- HANGER BRACKETS WILL CARRY (5) TIMES OVERLOAD WITHOUT FAILURE.
- HANGER BRACKETS WILL ALLOW 30° ROD MISALIGNMENT WITHOUT SHORT CIRCUITING.