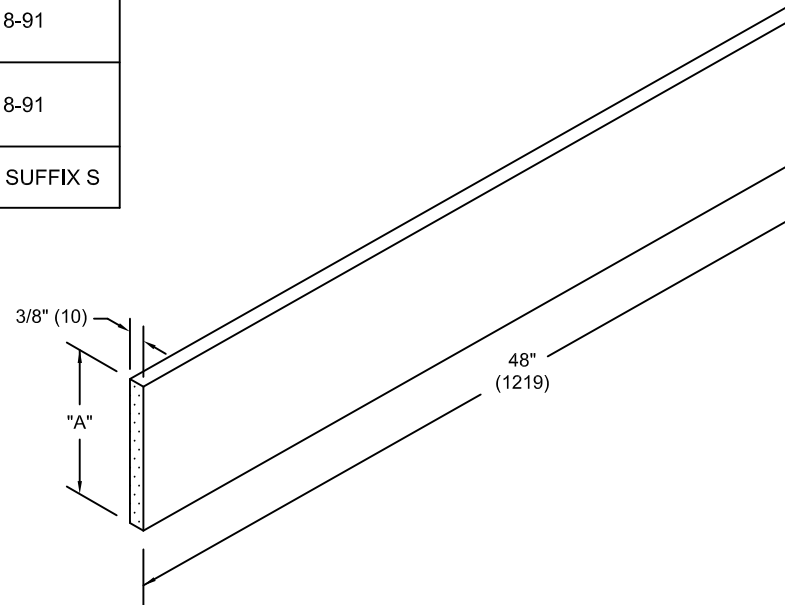


SRP (SOUND RATED PERIMETER STRIP)		
PROPERTY	VALUE	SPECIFICATION
DESCRIPTION	POLYETHYLENE FOAM	
DENSITY (LB/FT)	2.2	ASTM D3575-08
CELL SIZE (MM AVERAGE)	1.5	ASTM D3576-04 MODIFIED
COMPRESSIVE SET (% ORIGINAL THICKNESS)	<20%	ASTM D3575-08 SUFFIX B
COMPRESSIVE CREEP (% DEFLECTION)	<10% @ 2.5 PSI	ASTM D3575-08 SUFFIX BB (1000 HRS.)
TENSILE STRENGTH (PSI) (@ 1/2" THICKNESS)	31	ASTM D3575-08 SUFFIX T
TEAR RESISTANCE (LB/IN) (@ 1/2" THICKNESS)	10	ASTM D3575-08 SUFFIX G
WATER ABSORPTION (LB/FT)	<0.3	ASTM D3575-08
THERMAL RESISTANCE R-VALUE (HR-FT - F/BTU)	2.3	ASTM C518-91
THERMAL CONDUCTIVITY k-VALUE (BTU-IN/HR ² - °F)	0.43	ASTM C518-91
THERMAL STABILITY (%)	<2%	ASTM D3575-08 SUFFIX S

DIMENSION "A"	
(in)	(mm)
1.00	25
1.50	38
2.00	51
2.50	64
3.00	76
3.50	89
4.00	102
4.50	114
5.00	127
5.50	140
6.00	152
6.51	165
7.50	191
8.00	203
54.00	1372



DIMENSION FORMAT: IN (mm)

SCALE: 6" = 1'-0"



SRP (SOUND RATED PERIMETER STRIP):
ENGINEERING PROPERTIES

Revised
06/16/2023

Drawing No.
AA001907

kineticsnoise.com/perimeter



LEED Analysis

PPI/SRP Perimeter Penetration Interface

Recycled Content

This product does not contain significant recycled content.

Fabrication Location

This product is manufactured in Dublin, OH 43017

Material Source

The extraction points for the materials in this product cannot be verified. Assume they are outside of the 500 mile radius.

V2.0



SAFETY DATA SHEET

ARTICLE STATEMENT

Product names:

PPI

SRP

This document is provided for clarification of the Safety Data Sheet that you have requested for our product(s). OSHA Hazard Communication Standard requires a SDS for hazardous chemicals; however, the standard exempts all articles from the requirement. The explanation of an article is described per OSHA definition below.

Pursuant to 29 CRF 1910.1200 (b) (6) (v) and (c), the product described herein is an “article” or is otherwise excluded from OSHA regulations requiring that a Material Safety Data Sheet be prepared for it.

An article defined: manufactured item other than a fluid or particle: *(i)* which is formed to a specific shape or design during manufacture; *(ii)* which has an end use function(s) dependent in whole or in part upon its shape or design during end use; and *(iii)* which does not release, or otherwise result in exposure to, a hazardous chemical under normal conditions of use.

For technical information and additional resources covering these products please refer to Kinetics Noise Control’s published literature, e.g., data sheets, product drawings, and installation guidelines at www.kineticsnoise.com.

As of the date of this document, the foregoing information is believed to be accurate and is provided in good faith to comply with applicable federal and state laws. However, no warranty or representation of law or fact, with respect to such information, is intended or given.