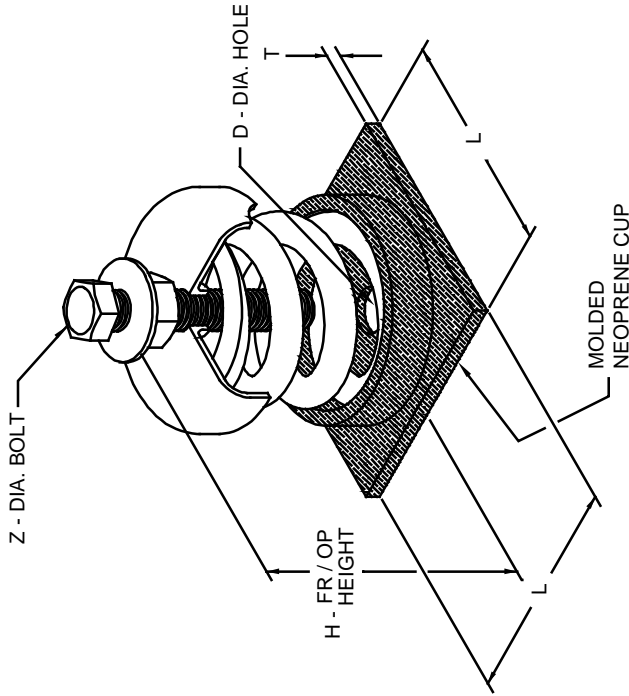


**FDS 1" DEFLECTION ISOLATOR  
IP UNITS (INCHES AND POUNDS)**

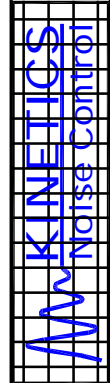
TYPE	L	T	D	H	Z
1-35/805	2.63	0.25	0.69	4.19	0.38
1-250/3500	3.88	0.38	1.00	5.44	0.38

STANDARD RATINGS	TYPE	SIZE	COLOR		FREE		RATED	
			OUTER	INNER	HT.	O.D.	LOAD	DEFL.
FDS	1-35	1.75	BLUE		3.19	1.75	35	1.52
FDS	1-70	1.75	GREEN		3.19	1.75	70	1.36
FDS	1-120	1.75	GRAY		3.19	1.75	120	1.18
FDS	1-220	1.75	BROWN		3.19	1.75	220	1.07
FDS	1-370	1.75	ORANGE		3.19	1.75	370	0.96
FDS	1-500	1.75	BEIGE		3.19	1.75	500	1.00
FDS	1-600	1.75	CHROME		3.19	1.75	600	1.00
FDS	1-700	1.75	BEIGE	WHITE	3.19	1.75	700	1.00
FDS	1-805	1.75	CHROME	WHITE	3.19	1.75	805	1.01
FDS	1-250	3.00	BLUE		4.20	3.00	250	1.79
FDS	1-450	3.00	GREEN		4.20	3.00	450	1.54
FDS	1-625	3.00	BLACK		4.20	3.00	625	1.44
FDS	1-800	3.00	GRAY		4.20	3.00	800	1.31
FDS	1-1000	3.00	RED		4.20	3.00	1000	1.15
FDS	1-1250	3.00	BROWN		4.20	3.00	1250	1.09
FDS	1-1700	3.00	ORANGE		4.20	3.00	1700	0.95
FDS	1-2200	3.00	ORANGE	GRAY	4.20	3.00	2200	1.00
FDS	1-2465	3.00	BLUE		4.20	3.00	2465	1.00
FDS	1-2865	3.00	BLUE	GRAY	4.20	3.00	2865	1.00
FDS	1-3500	3.00	BLUE	BROWN	4.20	3.00	3500	1.00



**SPECIFICATIONS:**

- FREE STANDING COIL SPRING ISOLATOR
- POWDER COATED SPRING ELEMENT
- OTHER METALLIC COMPONENTS BRIGHT ZINC PLATED
- MINIMUM OVERLOAD OF 50%.
- MINIMUM K<sub>v</sub>/K<sub>y</sub> RATIO OF 1.0.
- ALL ELEMENTS SAFE AT SOLID LOADING.
- ALL THREADED MEMBERS ARE AMERICAN STANDARD



KINETICS NOISE CONTROL, INC.  
6300 IRELAN PL.  
DUBLIN, OH 43017 USA  
Ph: 614 889-0480. Fax: 614 889-0540  
www.kineticsnoise.com

Model: **FDS-1-35/3500**

By: **JMJ**  
Date: **12/21/01**  
Revised: **6/19/03 / JMJ**

Drawing No: **S-01.20-11**

**MODEL FDS 1-35/805 & 250/3500 ISOLATOR**

PAGE 1 OF 2



DUBLIN, OHIO, USA • MISSISSAUGA, ONTARIO, CANADA

Toll Free (USA only): 800-959-1229  
International: 614-889-0480  
Fax: 614-889-0540  
World Wide Web: www.kineticsnoise.com  
Email: sales@kineticsnoise.com

DOCUMENT:

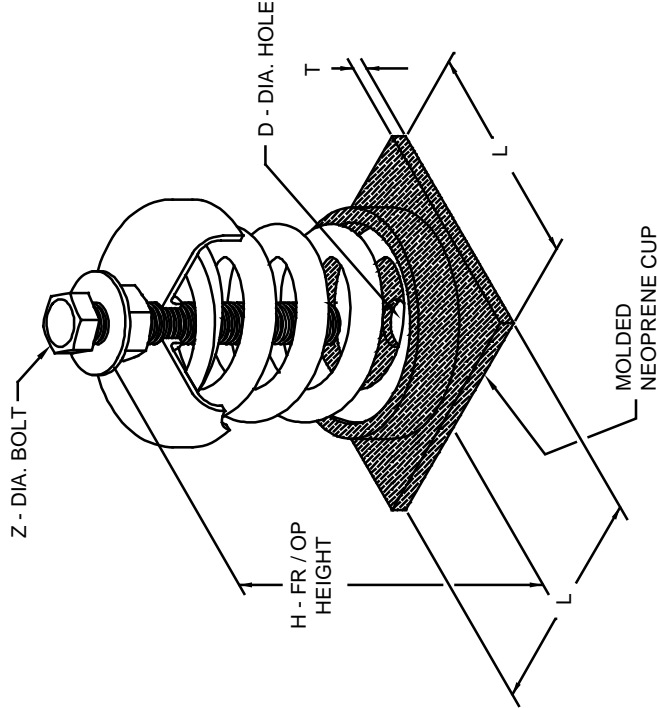
**R3.4**



**FDS 2" DEFLECTION ISOLATOR  
IP UNITS (INCHES AND POUNDS)**

TYPE	L	T	D	H	Z
2-100/1975	4.38	0.38	1.00	7.31	0.38

STANDARD RATINGS	TYPE	SIZE	COLOR		SPRING COIL		RATED	
			OUTER	INNER	FREE HT.	O.D.	LOAD	DEFL.
FDS	2-100	GRAY			6.09	3.50	100	2.00
FDS	2-250	BLUE			6.09	3.50	250	2.00
FDS	2-500	GREEN			6.09	3.50	500	2.00
FDS	2-750	BLACK			6.09	3.50	750	2.00
FDS	2-995	ORANGE			6.09	3.50	995	2.00
FDS	2-1400	ORANGE	GREEN		6.09	3.50	1400	2.01
FDS	2-1600	RED			6.09	3.50	1600	2.00
FDS	2-1975	RED	GREEN		6.09	3.50	1975	1.98



**SPECIFICATIONS:**

- FREE STANDING COIL SPRING ISOLATOR
- POWDER COATED SPRING ELEMENT
- OTHER METALLIC COMPONENTS BRIGHT ZINC PLATED
- MINIMUM OVERLOAD OF 50%
- MINIMUM Kv/Ky RATIO OF 1.0
- ALL ELEMENTS SAFE AT SOLID LOADING
- ALL THREADED MEMBERS ARE AMERICAN STANDARD



Member  
**VISCMA**  
Vibration and Shock Control Manufacturers Association

KINETICS NOISE CONTROL, INC.  
6300 IRELAN PL.  
DUBLIN, OH 43017 USA  
Ph: 614 889-0480, Fax: 614 889-0540  
www.kineticsnoise.com

Model: **FDS-2-100/1975**

By: **JMJ**  
Date: **04/16/02**  
Revised: **6/19/03/JMJ**

Drawing No: **S-01.20-21**

**MODEL FDS 2-100/1975 ISOLATOR**

PAGE 2 OF 2



DUBLIN, OHIO, USA • MISSISSAUGA, ONTARIO, CANADA

Toll Free (USA only): 800-959-1229  
International: 614-889-0480  
Fax: 614-889-0540  
World Wide Web: www.kineticsnoise.com  
Email: sales@kineticsnoise.com

DOCUMENT:

**R3.4**

