



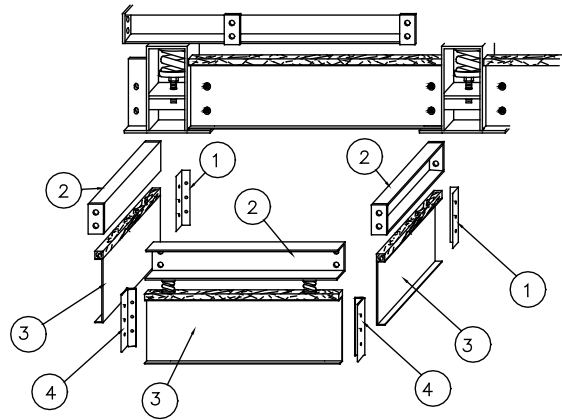
KINETICS NOISE CONTROL, INC  
 6300 IRELAN PLACE  
 DUBLIN, OHIO 43017  
 Ph 614-889-0480, FAX 614-889-0540

Packing List for Pipe Chase Components

- Two (2) Pipe Chase Top Side Rails
- Two (2) Pipe Chase Bottom Side Rails
- One (1) Pipe Chase Top End Rail
- One (1) Pipe Chase Bottom End Rail
- Two (2) 6 Hole Corner Angles
- Two (2) 6 Hole Formed Corner Angles
- Two (2) 35 lb capacity Spring Isolator Coils
- Miscellaneous bolts and hardware

NO.	QTY	DESCRIPTION
1	2	PIPE CHASE CORNER ANGLES
2	3	PIPE CHASE TOP RAILS (2 SIDE, 1 FRONT)
3	3	PIPE CHASE BOTTOM CHANNEL (2 SIDES, 1 FRONT)
4	2	FORMED PIPE CHASE CORNER ANGLES

# QUANTITY VARIES  
 \* ALL NOT SHOWN





KINETICS NOISE CONTROL, INC  
 6300 IRELAN PLACE  
 DUBLIN, OHIO 43017  
 Ph 614-889-0480, FAX 614-889-0540

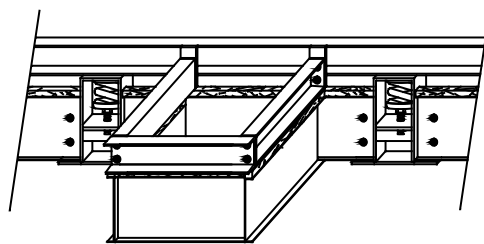
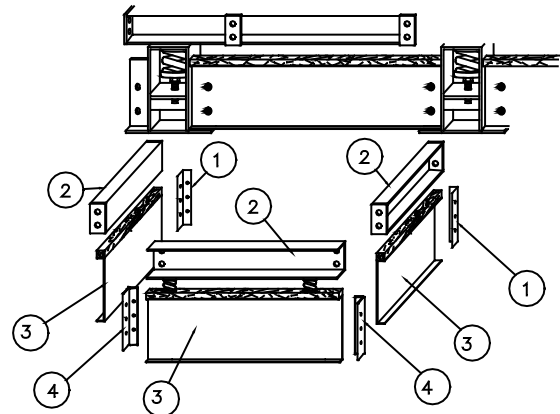
## ESR Pipe Chase Assembly

1. Attach the top side pipe chase rails to the main ESR rail at the attachment tabs that are welded to the top side rails.
2. Attach the end rail to the side rails using the bolts provided.
3. Attach the bottom side pipe chase rails to the main ESR side rails directly under the top side rails using the sheet metal angle clips. Bolt as shown in the attached sketch using the provided hardware.
4. Using the formed angle clips provided slip the bottom end plate onto the side plates and secure it using the self tapping TEK Screws.
5. Snap the pipe chase support springs into the cups that are mounted to the end rail. These should bear against the underside of the top rail and may need to be forced into place.
6. Later when installing the weather stripping, it should be routed out and around the pipe chase to form a weather tight seal.

NO.	QTY	DESCRIPTION
1	2	PIPE CHASE CORNER ANGLES
2	3	PIPE CHASE TOP RAILS (2 SIDE, 1 FRONT)
3	3	PIPE CHASE BOTTOM CHANNEL (2 SIDES, 1 FRONT)
4	2	FORMED PIPE CHASE CORNER ANGLES

# QUANTITY VARIES

\* ALL NOT SHOWN



ASSEMBLED VIEW