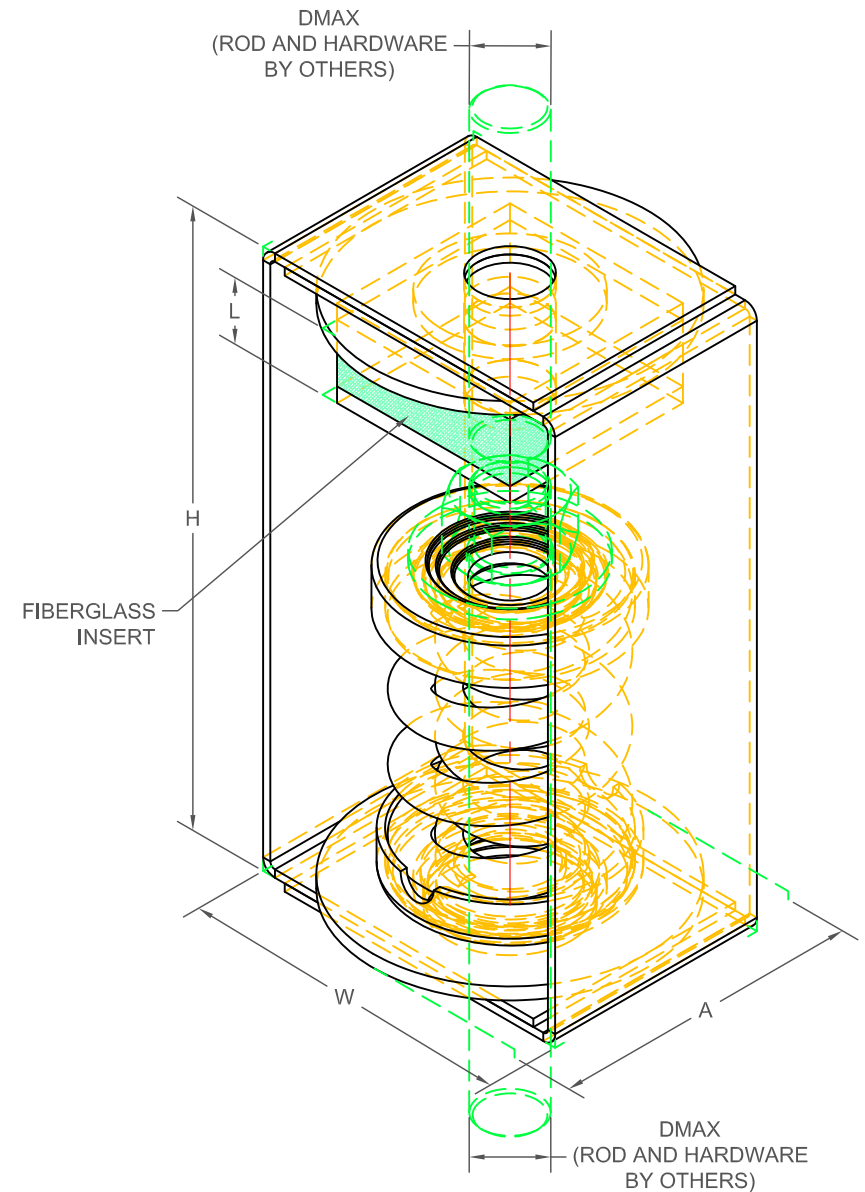


# SFH 1" DEFLECTION ISOLATION HANGERS

IP UNITS (INCHES AND POUNDS)

TYPE	L	H	W	A	D <sub>MAX</sub>
1-2190 (2200)/3500	1.50	9.50	5.00	4.75	1.00

STANDARD RATINGS				SPRING COIL				FIBERGLASS INSERT DENSITY
TYPE	SIZE	LOAD	DEFL.	COLOR		FREE	O.D.	
				OUTER	INNER	HT.		
SFH	1-2190 (2200)	2190	1.05	ORANGE	GRAY	4.20	3.00	S
SFH	1-2465	2465	1.08	BLUE		4.20	3.00	S
SFH	1-2865	2865	1.08	BLUE	GRAY	4.20	3.00	S
SFH	1-3500	3500	1.06	BLUE	BROWN	4.20	3.00	S



### SPECIFICATIONS:

- SPRING ELEMENTS AND BRACKETS ARE POWDER COATED.
- LOAD PLATES ARE BRIGHT ZINC PLATED.
- ISOLATION HANGERS HAVE A TYPICAL OVERLOAD OF 50%.
- ISOLATION HANGERS HAVE A MINIMUM Kx/Ky RATIO OF 1.0.
- SPRING ELEMENTS ARE SAFE AT SOLID LOADING.
- HANGER BRACKETS WILL CARRY (5) TIMES OVERLOAD WITHOUT FAILURE.
- HANGER BRACKETS WILL ALLOW 30° ROD MISALIGNMENT WITHOUT SHORT CIRCUITING.
- ISOLATION HANGERS INCORPORATE "NO SHORT" STEP CAP.



KINETICS NOISE CONTROL, INC  
 6300 IRELAN PL,  
 DUBLIN, OH 43017 USA  
 Ph: 614 889-0480, Fax: 614 889-0540  
 www.kineticsnoise.com

Model:  
**SFH-1-  
 2190/3500**

By: **JMJ**  
 Date: **10/24/03**  
 Revised: **11/07/22 / BB**

Drawing No:  
**S-03.35-14**