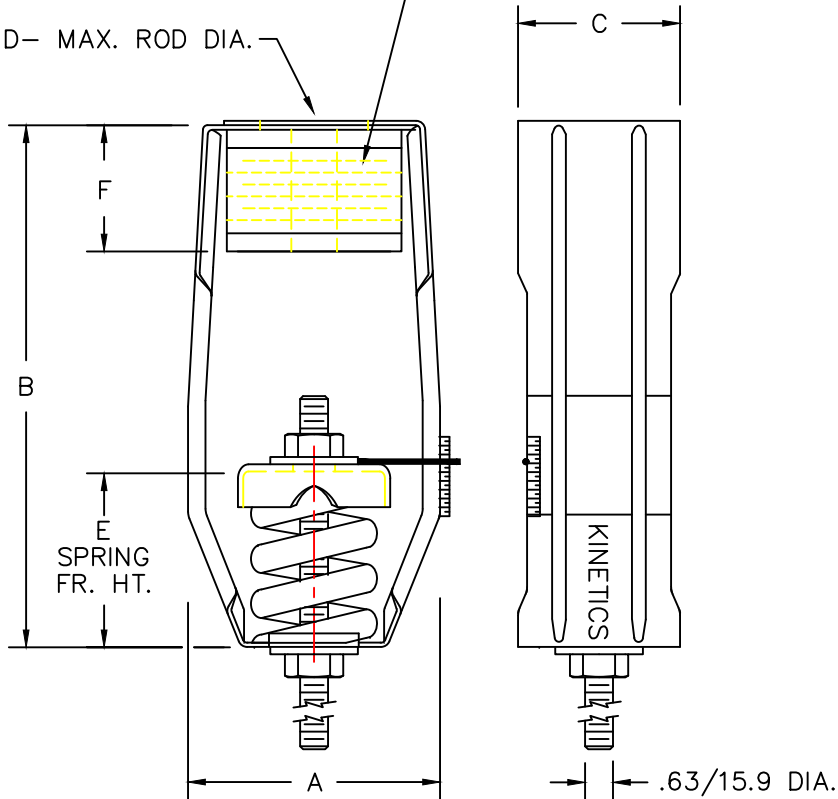


NOTE:
ALL DIMENSIONS SHOWN IN
INCHES AND MILLIMETERS.

MODEL	SPRING COLOR	RATED LOAD LB/KG	RATED DEFLECTION IN/MM	DIMENSIONS IN INCHES					
				A IN/MM	B IN/MM	C IN/MM	D IN/MM	E IN/MM	F IN/MM
SFPH-2-260	BLUE	260/118	2.20/56	5.58/142	8.59/218	3.63/92	1.00/25	4.00/100	2.00/50
SFPH-2-465	GREEN	465/211	2.00/50	5.58/142	8.59/218	3.63/92	1.00/25	4.00/100	2.00/50
SFPH-2-720	BLACK	720/328	1.91/49	5.58/142	8.59/218	3.63/92	1.00/25	4.00/100	2.00/50
SFPH-2-850	WHITE	850/386	2.00/50	5.58/142	8.59/218	3.63/92	1.00/25	4.25/108	2.00/50
SFPH-2-1025	BEIGE	1025/466	1.81/46	5.58/142	8.59/218	3.63/92	1.00/25	4.25/108	2.00/50
SFPH-2-1200	CHROME	1200/546	1.78/45	5.58/142	8.59/218	3.63/92	1.00/25	4.50/114	2.00/50

PRECOMPRESSED MOLDED
FIBER GLASS INSERT

D- MAX. ROD DIA.



- SFPH-2 ISOLATION HANGERS HAVE A MINIMUM K_x/K_y OF 1.4
- SFPH-2 SPRING ELEMENTS ARE SAFE FOR SOLID LOADING
- SFPH-2 HANGER BRACKETS WILL CARRY (5) TIMES OVERLOAD WITHOUT FAILURE
- SFPH-2 HANGER BRACKETS WILL ALLOW 30° ROD MISALIGNMENT WITHOUT SHORT CIRCUITING
- SFPH-2 SPRING ELEMENTS AND BRACKETS ARE POWDER COATED. LOAD PLATES ARE BRIGHT ZINC PLATED.



TITLE
MODEL SFPH-2 HANGER

LAST DATE
REVISED
4/16/96

DRAWN BY
DW

DRAWING NO. S-DWG
S-03.45-2B