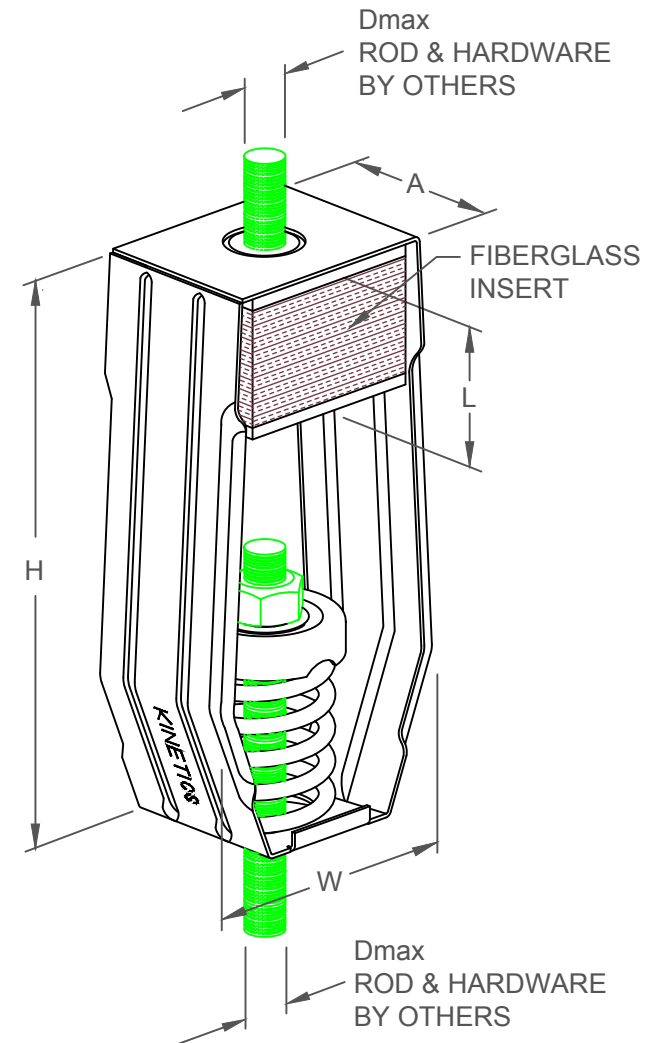


SFH 1" DEFLECTION ISOLATION HANGERS

IP UNITS (INCHES AND POUNDS)

TYPE	L	H	W	A	DMAX
1-50/1000	1.50	8.59	5.58	3.63	1.00

STANDARD RATINGS				SPRING COIL			FIBERGLASS INSERT DENSITY
TYPE	SIZE	LOAD	DEFL.	COLOR	FREE HT.	O.D.	
SFH	1-50	50	1.00	BEIGE	4.20	3.00	Q
SFH	1-100	100	1.00	CHROME	4.20	3.00	Q
SFH	1-250	250	1.90	BLUE	4.20	3.00	Q
SFH	1-450	450	1.69	GREEN	4.20	3.00	Q
SFH	1-625	625	1.61	BLACK	4.20	3.00	Q
SFH	1-800	800	1.50	GRAY	4.20	3.00	Q
SFH	1-1000	1000	1.23	RED	4.20	3.00	R



SPECIFICATIONS:

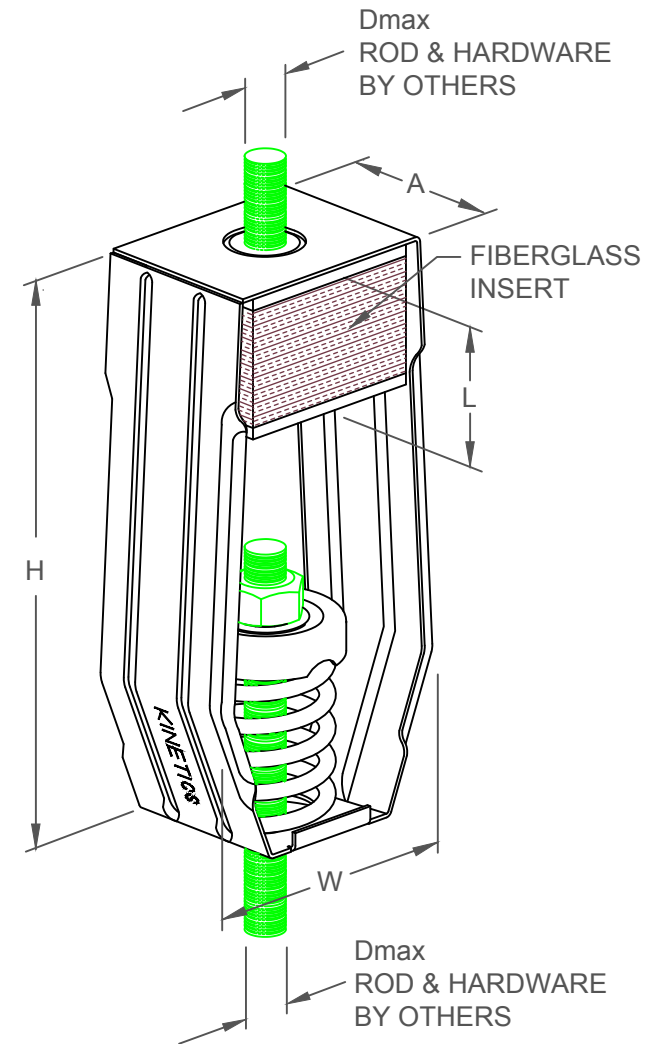
- SPRING ELEMENTS AND BRACKETS ARE POWDER COATED.
- LOAD PLATES ARE BRIGHT ZINC PLATED.
- ISOLATION HANGERS HAVE A TYPICAL OVERLOAD OF 50%.
- ISOLATION HANGERS HAVE A MINIMUM Kx/Ky RATIO OF 1.4.
- SPRING ELEMENTS ARE SAFE AT SOLID LOADING.
- HANGER BRACKETS WILL CARRY (5) TIMES OVERLOAD WITHOUT FAILURE.
- HANGER BRACKETS WILL ALLOW 30° ROD MISALIGNMENT WITHOUT SHORT CIRCUITING.
- ISOLATION HANGERS INCORPORATE "NO SHORT" STEP CAP.

SFH 25 mm DEFLECTION ISOLATION HANGERS

S-I UNITS (mm AND kg)

TYPE	L	H	W	A	DMAX
1-50/1000	38	218	142	92	25

STANDARD RATINGS				SPRING COIL			FIBERGLASS INSERT DENSITY
TYPE	SIZE	LOAD	DEFL.	COLOR	FREE HT.	O.D.	
SFH	1-50	23	25	BEIGE	107	76	Q
SFH	1-100	45	25	CHROME	107	76	Q
SFH	1-250	113	48	BLUE	107	76	Q
SFH	1-450	204	43	GREEN	107	76	Q
SFH	1-625	283	41	BLACK	107	76	Q
SFH	1-800	363	38	GRAY	107	76	Q
SFH	1-1000	454	31	RED	107	76	R



SPECIFICATIONS:

- SPRING ELEMENTS AND BRACKETS ARE POWDER COATED.
- LOAD PLATES ARE BRIGHT ZINC PLATED.
- ISOLATION HANGERS HAVE A TYPICAL OVERLOAD OF 50%.
- ISOLATION HANGERS HAVE A MINIMUM Kx/Ky RATIO OF 1.4.
- SPRING ELEMENTS ARE SAFE AT SOLID LOADING.
- HANGER BRACKETS WILL CARRY (5) TIMES OVERLOAD WITHOUT FAILURE.
- HANGER BRACKETS WILL ALLOW 30° ROD MISALIGNMENT WITHOUT SHORT CIRCUITING.
- "NO SHORT" STEP CAP.