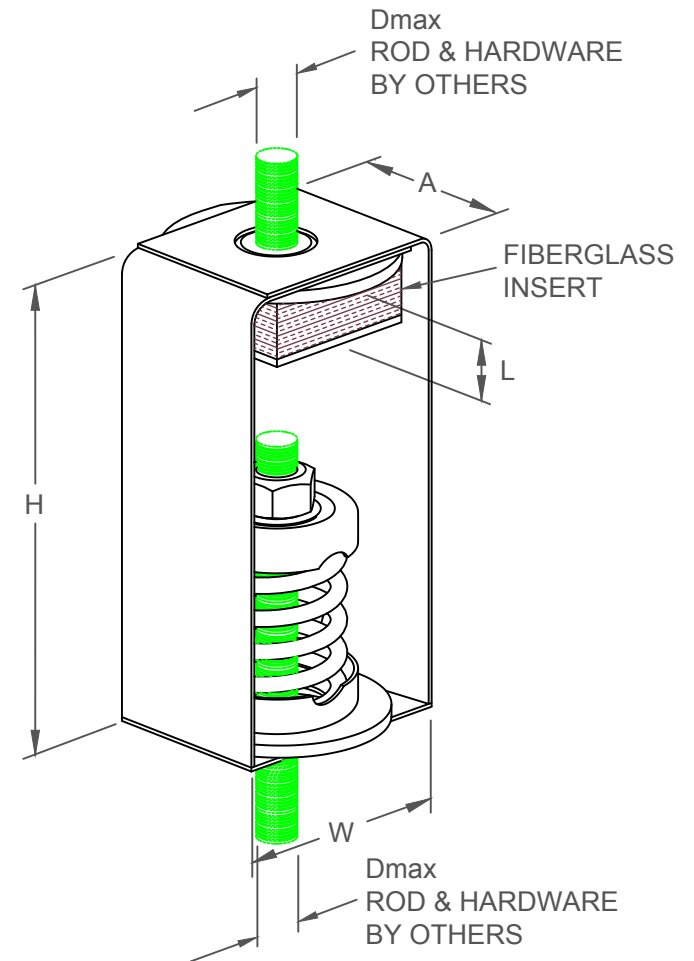


# SFH 1" DEFLECTION ISOLATION HANGERS

IP UNITS (INCHES AND POUNDS)

TYPE	L	H	W	A	DMAX
1-2200/3500	1.50	9.50	5.00	4.75	1.00

STANDARD RATINGS				SPRING COIL				FIBERGLASS INSERT DENSITY
TYPE	SIZE	LOAD	DEFL.	COLOR		FREE	O.D.	
				OUTER	INNER	HT.		
SFH	1-2200	2200	1.05	ORANGE	GRAY	4.20	3.00	S
SFH	1-2465	2465	1.05	BLUE		4.20	3.00	S
SFH	1-2865	2865	1.05	BLUE	GRAY	4.20	3.00	S
SFH	1-3500	3500	1.06	BLUE	BROWN	4.20	3.00	S



## SPECIFICATIONS:

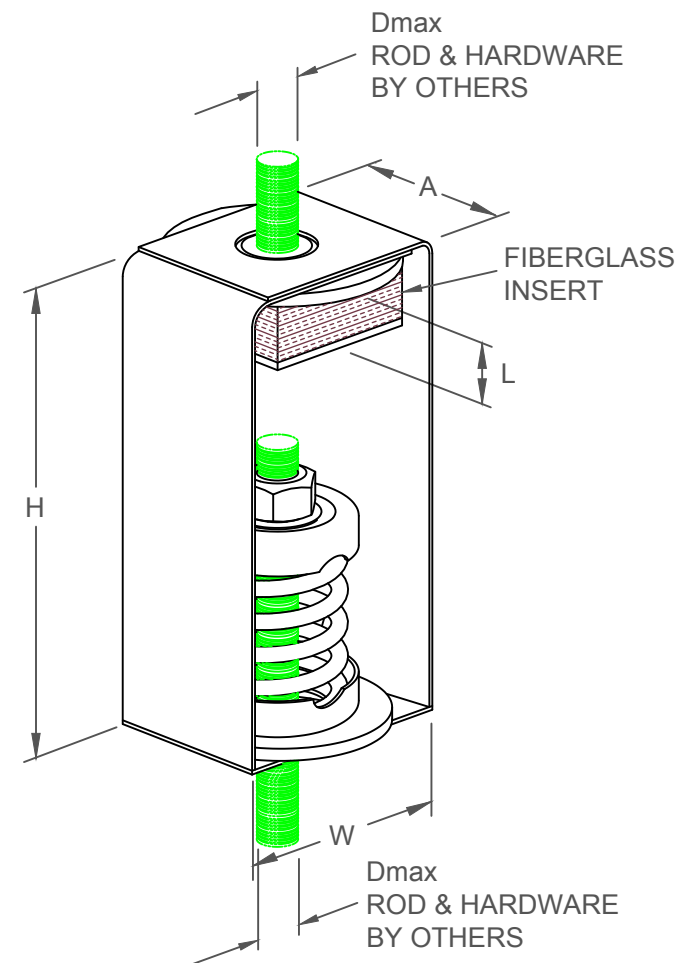
- SPRING ELEMENTS AND BRACKETS ARE POWDER COATED.
- LOAD PLATES ARE BRIGHT ZINC PLATED.
- ISOLATION HANGERS HAVE A TYPICAL OVERLOAD OF 50%.
- ISOLATION HANGERS HAVE A MINIMUM Kx/Ky RATIO OF 1.0.
- SPRING ELEMENTS ARE SAFE AT SOLID LOADING.
- HANGER BRACKETS WILL CARRY (5) TIMES OVERLOAD WITHOUT FAILURE.
- HANGER BRACKETS WILL ALLOW 30° ROD MISALIGNMENT WITHOUT SHORT CIRCUITING.
- ISOLATION HANGERS INCORPORATE "NO SHORT" STEP CAP.

# SFH 25 mm DEFLECTION ISOLATION HANGERS

S-I UNITS (mm AND kg)

TYPE	L	H	W	A	DMAX
1-2200/3500	38	241	127	121	25

STANDARD RATINGS				SPRING COIL				FIBERGLASS INSERT DENSITY
TYPE	SIZE	LOAD	DEFL.	COLOR		FREE	O.D.	
				OUTER	INNER	HT.		
SFH	1-2200	998	27	ORANGE	GRAY	107	76	S
SFH	1-2465	1118	27	BLUE		107	76	S
SFH	1-2865	1300	27	BLUE	GRAY	107	76	S
SFH	1-3500	1588	27	BLUE	BROWN	107	76	S



## SPECIFICATIONS:

- SPRING ELEMENTS AND BRACKETS ARE POWDER COATED.
- LOAD PLATES ARE BRIGHT ZINC PLATED.
- ISOLATION HANGERS HAVE A TYPICAL OVERLOAD OF 50%.
- ISOLATION HANGERS HAVE A MINIMUM Kx/Ky RATIO OF 1.0.
- SPRING ELEMENTS ARE SAFE AT SOLID LOADING.
- HANGER BRACKETS WILL CARRY (5) TIMES OVERLOAD WITHOUT FAILURE.
- HANGER BRACKETS WILL ALLOW 30° ROD MISALIGNMENT WITHOUT SHORT CIRCUITING.
- ISOLATION HANGERS INCORPORATE "NO SHORT" STEP CAP.