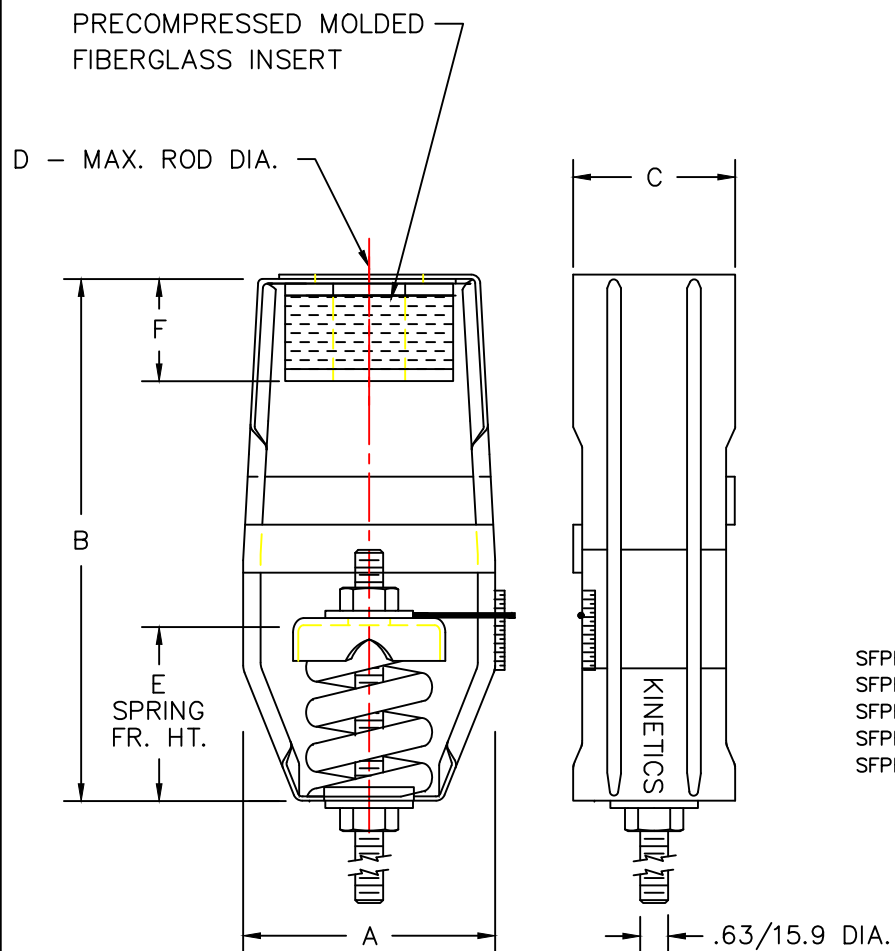


NOTE:  
ALL DIMENSIONS SHOWN IN  
INCHES AND MILLIMETERS.

MODEL	SPRING COLOR	RATED LOAD LB/KG	RATED DEFLECTION IN/MM	DIMENSIONS IN INCHES					
				A IN/MM	B IN/MM	C IN/MM	D IN/MM	E IN/MM	F IN/MM
SFPH-1-1250	BROWN	1250/568	1.11/28	5.58/142	8.59/218	3.63/92	1.00/25	4.00/100	1.50/38
SFPH-1-1700	ORANGE	1700/773	1.11/28	5.58/142	8.59/218	3.63/92	1.00/25	4.00/100	1.50/38



- SFPH-1 ISOLATION HANGERS HAVE A MINIMUM  $K_x/K_y$  OF 1.2
- SFPH-1 SPRING ELEMENTS ARE SAFE FOR SOLID LOADING
- SFPH-1 HANGER BRACKETS WILL CARRY (5) TIMES OVERLOAD WITHOUT FAILURE
- SFPH-1 HANGER BRACKETS WILL ALLOW 30° ROD MISALIGNMENT WITHOUT SHORT CIRCUITING
- SFPH-1 SPRING ELEMENTS AND BRACKETS ARE POWDER COATED. LOAD PLATE ARE BRIGHT ZINC PLATED.



TITLE  
MODEL SFPH-1 HANGER

LAST DATE  
REVISED  
4/16/96

DRAWN BY  
DW

DRAWING NO. S-DWG  
S-03.45-1C