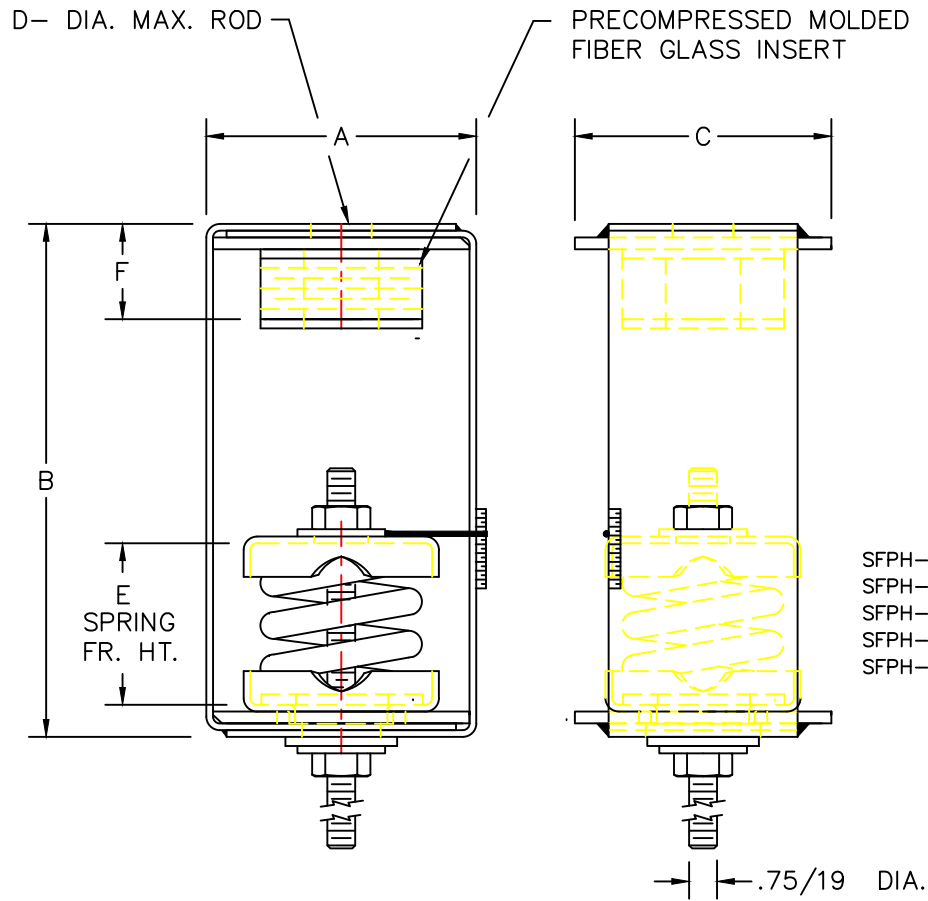


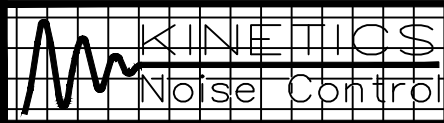
NOTE:
ALL DIMENSIONS SHOWN IN
INCHES AND MILLIMETERS.

MODEL	SPRING COLOR	RATED LOAD LB/KG	RATED DEFLECTION IN/MM	DIMENSIONS IN INCHES/MILLIMETERS					
				A IN/MM	B IN/MM	C IN/MM	D IN/MM	E IN/MM	F IN/MM
SFPH-1-2200	ORANGE/GRAY	2200/998	1.17/30	5.00/127	9.50/241	4.75/121	1.00/25	4.00/102	2.00/50
SFPH-1-2465	BLUE	2465/1118	1.19/30	5.00/127	9.50/241	4.75/121	1.00/25	4.00/102	2.00/50
SFPH-1-2865	BLUE/GRAY	2865/1300	1.09/28	5.00/127	9.50/241	4.75/121	1.00/25	4.00/102	2.00/50
SFPH-1-3500	BLU/BROWN	3500/1588	1.11/28	5.00/127	9.50/241	4.75/121	1.00/25	4.00/102	2.00/50



- SFPH-1 ISOLATION HANGERS HAVE A MINIMUM K_x/K_y OF 1.0
- SFPH-1 SPRING ELEMENTS ARE SAFE FOR SOLID LOADING
- SFPH-1 HANGER BRACKETS WILL CARRY (5) TIMES OVERLOAD WITHOUT FAILURE
- SFPH-1 HANGER BRACKETS WILL ALLOW 30° ROD MISALIGNMENT WITHOUT SHORT CIRCUITING
- SFPH-1 SPRING ELEMENTS AND BRACKETS ARE POWDER COATED. LOAD PLATES ARE BRIGHT ZINC PLATED.

NOTE:
ALL THREADED MEMBERS ARE AMERICAN STANDARD.



TITLE
MODEL SFPH-1 HANGER

LAST DATE
REVISED
9/20/96

DRAWN BY
DW

DRAWING NO.
S-03.45-1D