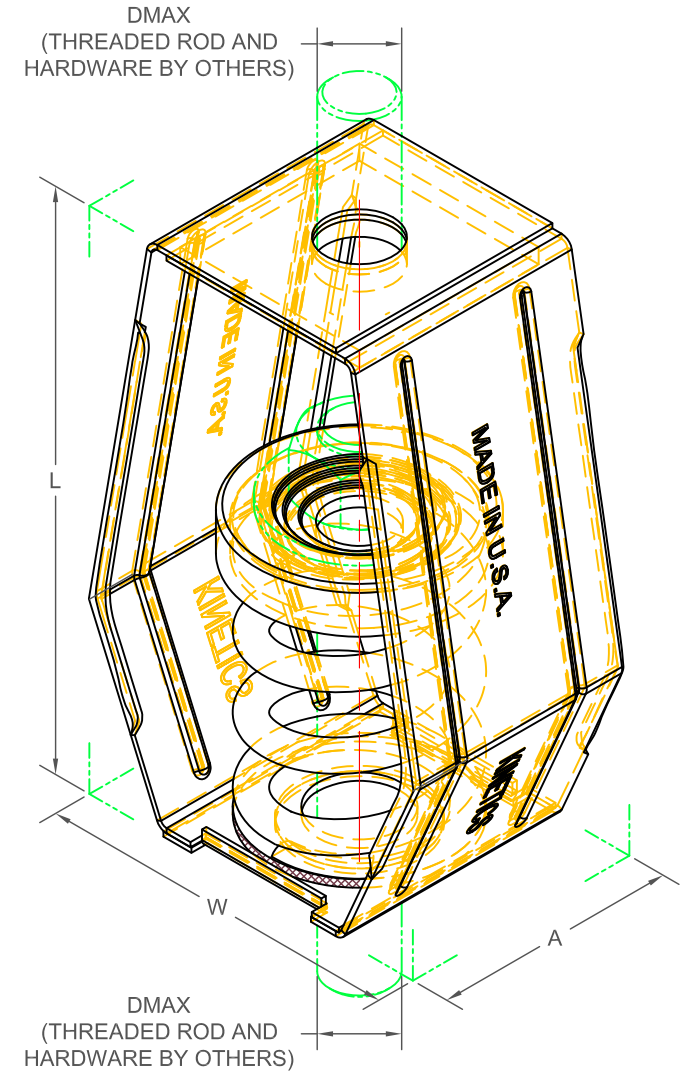


SH 1" DEFLECTION ISOLATION HANGERS

IP UNITS (INCHES AND POUNDS)

TYPE	H	W	A	D _{MAX}
1-50/870 (1000)	8.59	5.58	3.63	1.00

STANDARD RATINGS		SPRING COIL				
TYPE	SIZE	COLOR	FREE		RATED	
			HT.	O.D.	LOAD	DEFL.
SH	1-50	BEIGE	4.20	3.00	50	1.00
SH	1-100	CHROME	4.20	3.00	100	1.00
SH	1-140 (250)	BLUE	4.20	3.00	140	1.00
SH	1-293 (450)	GREEN	4.20	3.00	293	1.00
SH	1-434 (625)	BLACK	4.20	3.00	434	1.00
SH	1-611 (800)	GRAY	4.20	3.00	611	1.00
SH	1-870 (1000)	RED	4.20	3.00	870	1.00



SPECIFICATIONS:

- SPRING ELEMENTS AND BRACKETS ARE POWDER COATED.
- LOAD PLATES ARE BRIGHT ZINC PLATED.
- ISOLATION HANGERS HAVE A TYPICAL OVERLOAD OF 50%.
- ISOLATION HANGERS HAVE A MINIMUM K_x/K_y RATIO OF 1.0.
- SPRING ELEMENTS ARE SAFE AT SOLID LOADING.
- HANGER BRACKETS WILL CARRY (5) TIMES OVERLOAD WITHOUT FAILURE.
- HANGER BRACKETS WILL ALLOW 30° ROD MISALIGNMENT WITHOUT SHORT CIRCUITING.
- HANGER INCORPORATES "NO SHORT" STEP CAP.



KINETICS NOISE CONTROL, INC
 6300 IRELAN PL,
 DUBLIN, OH 43017 USA
 Ph: 614 889-0480, Fax: 614 889-0540
 www.kineticsnoise.com

Model:

SH-1-50/870

By: BB
 Date: 12/07/05
 Revised: 11/07/22 / BB

Drawing No:
 S-03.36-12