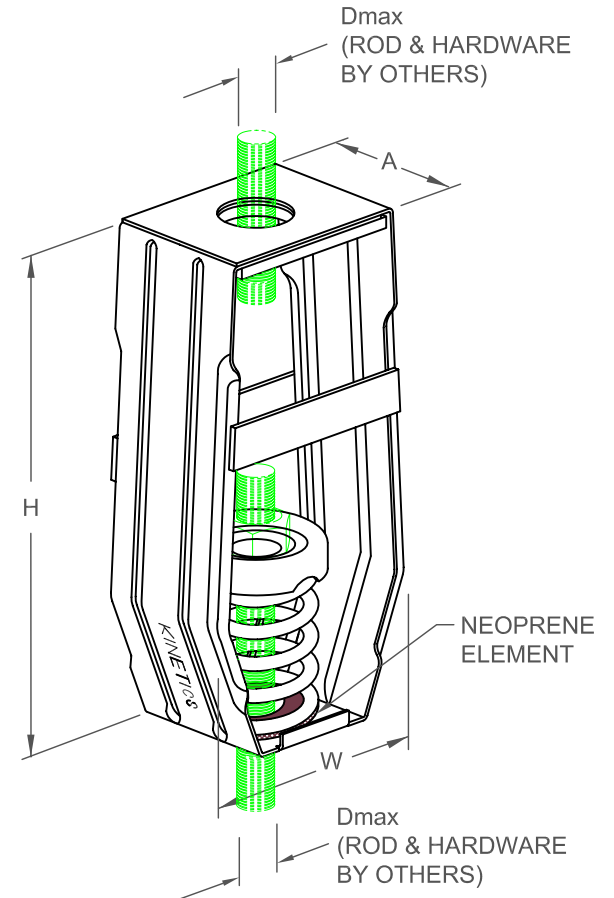


SH 1" DEFLECTION ISOLATION HANGERS

IP UNITS (INCHES AND POUNDS)

TYPE	H	W	A	DMAX
1-1250/1700	8.59	5.58	3.63	1.00

STANDARD RATINGS				SPRING COIL		
TYPE	SIZE	LOAD	DEFL.	COLOR	FREE HT.	O.D.
SH	1-1250	1250	1.09	BROWN	4.20	3.00
SH	1-1700	1700	0.95	ORANGE	4.20	3.00



SPECIFICATIONS:

- SPRING ELEMENTS AND BRACKETS ARE POWDER COATED.
- LOAD PLATES ARE BRIGHT ZINC PLATED.
- ISOLATION HANGERS HAVE A TYPICAL OVERLOAD OF 50%.
- ISOLATION HANGERS HAVE A MINIMUM K_x/K_y RATIO OF 1.0.
- SPRING ELEMENTS ARE SAFE AT SOLID LOADING.
- HANGER BRACKETS WILL CARRY (5) TIMES OVERLOAD WITHOUT FAILURE.
- HANGER BRACKETS WILL ALLOW 30° ROD MISALIGNMENT WITHOUT SHORT CIRCUITING.
- HANGER INCORPORATES "NO SHORT" STEP CAP.



KINETICS NOISE CONTROL, INC
 6300 IRELAN PL,
 DUBLIN, OH 43017 USA
 Ph: 614 889-0480, Fax: 614 889-0540
 www.kineticsnoise.com

Model:
SH-1
1250/1700

By: **BB**
 Date: **12/07/05**
 Revised: **/**

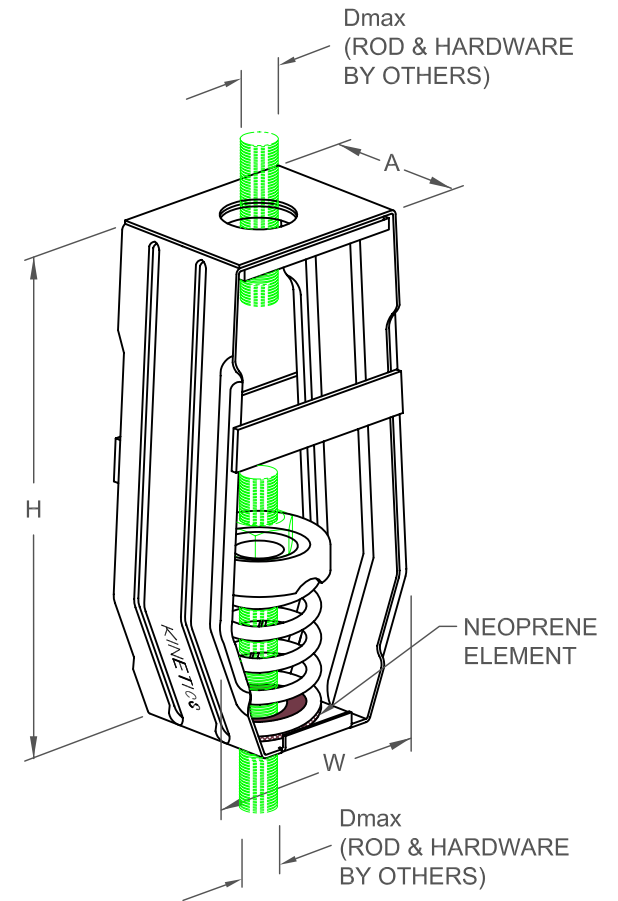
Drawing No:
S-03.36-13

SH 25 mm DEFLECTION ISOLATION HANGERS

S-I UNITS (mm AND kg)

TYPE	H	W	A	DMAX
1-1250/1700	218	142	92	25

STANDARD RATINGS				SPRING COIL		
TYPE	SIZE	LOAD	DEFL.	COLOR	FREE HT.	O.D.
SH	1-1250	567	28	BROWN	107	76
SH	1-1700	771	24	ORANGE	107	76



SPECIFICATIONS:

- SPRING ELEMENTS AND BRACKETS ARE POWDER COATED.
- LOAD PLATES ARE BRIGHT ZINC PLATED.
- ISOLATION HANGERS HAVE A TYPICAL OVERLOAD OF 50%.
- ISOLATION HANGERS HAVE A MINIMUM K_x/K_y RATIO OF 1.0.
- SPRING ELEMENTS ARE SAFE AT SOLID LOADING.
- HANGER BRACKETS WILL CARRY (5) TIMES OVERLOAD WITHOUT FAILURE.
- HANGER BRACKETS WILL ALLOW 30° ROD MISALIGNMENT WITHOUT SHORT CIRCUITING.
- HANGER INCORPORATES "NO SHORT" STEP CAP.



KINETICS NOISE CONTROL, INC
 6300 IRELAN PL,
 DUBLIN, OH 43017 USA
 Ph: 614 889-0480, Fax: 614 889-0540
 www.kineticsnoise.com

Model:
SH-1
1250/1700

By: **BB**
 Date: **12/07/05**
 Revised: **/**

Drawing No:
S-03.36-13
METRIC