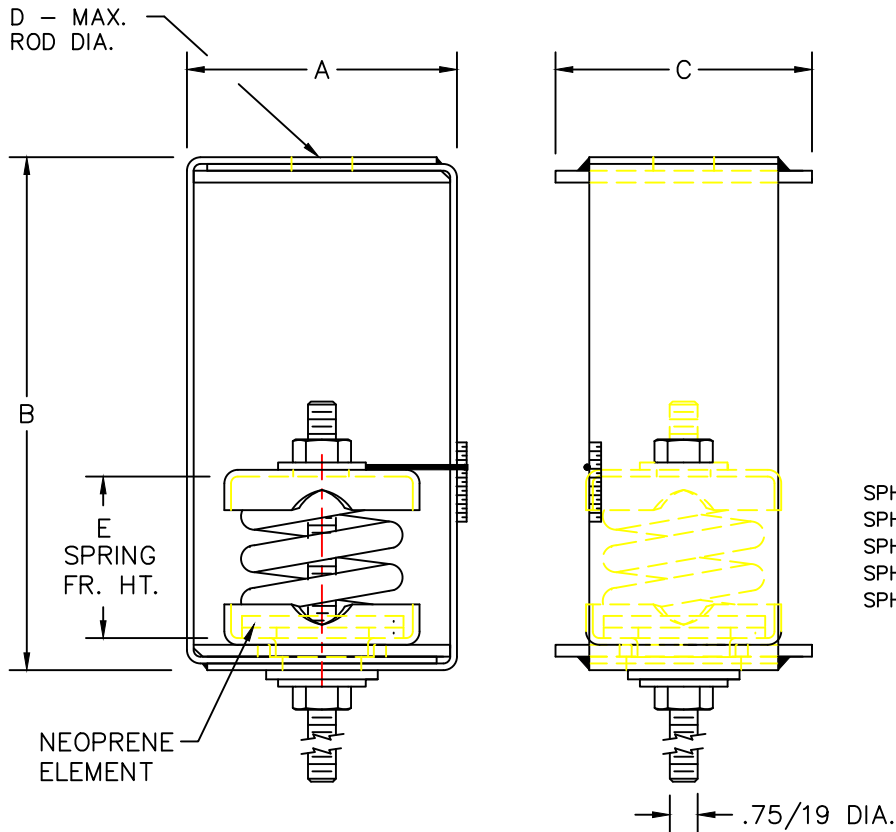


NOTE:
ALL DIMENSIONS SHOWN IN
INCHES AND MILLIMETERS.

MODEL	SPRING COLOR	RATED LOAD LB/KG	RATED DEFLECTION IN/MM	DIMENSIONS IN INCHES / MILLIMETERS				
				A	B	C	D	E
SPH-1-2200	ORG/GRAY	2200/998	1.00/25	5.00/127	9.50/241	4.75/121	1.00/25	4.00/102
SPH-1-2465	BLUE	2465/1118	1.00/25	5.00/127	9.50/241	4.75/121	1.00/25	4.00/102
SPH-1-2865	BLUE/GRAY	2865/1300	1.00/25	5.00/127	9.50/241	4.75/121	1.00/25	4.00/102
SPH-1-3500	BLUE/BROWN	3500/1588	1.00/25	5.00/127	9.50/241	4.75/121	1.00/25	4.00/102



SPH-1 ISOLATION HANGERS HAVE A MINIMUM K_x/K_y OF 1.0
 SPH-1 SPRING ELEMENTS ARE SAFE FOR SOLID LOADING
 SPH-1 HANGER BRACKETS WILL CARRY (5) TIMES OVERLOAD WITHOUT FAILURE
 SPH-1 HANGER BRACKETS WILL ALLOW 30° ROD MISALIGNMENT WITHOUT SHORT CIRCUITING
 SPH-1 SPRING ELEMENTS AND BRACKETS ARE POWDER COATED. LOAD PLATES ARE BRIGHT ZINC PLATED.

NOTE:
ALL THREADED MEMBERS ARE AMERICAN STANDARD.



TITLE
MODEL SPH-1 HANGER

LAST DATE
REVISED
09/25/96

DRAWN BY
DW

DRAWING NO.
S-03.46-1D