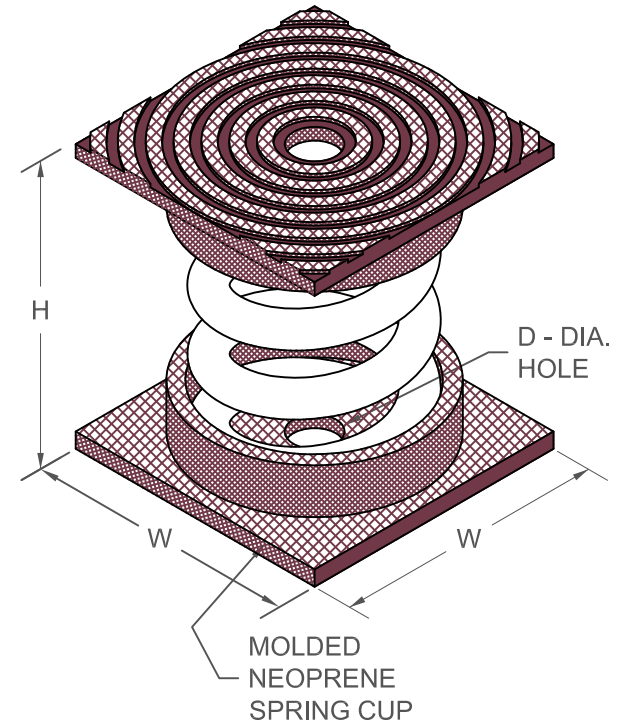


SHU 2" DEFLECTION ISOLATOR

IP UNITS (INCHES AND POUNDS)

| TYPE | H | W | D |
|------------|------|------|------|
| 2-100/1975 | 6.84 | 4.38 | 1.00 |

| STANDARD RATINGS | | SPRING COIL | | | | | |
|------------------|--------|-------------|-------|------|------|-------|-------|
| | | COLOR | | FREE | | RATED | |
| TYPE | SIZE | OUTER | INNER | HT. | O.D. | LOAD | DEFL. |
| SHU | 2-100 | GRAY | | 6.09 | 3.50 | 100 | 2.00 |
| SHU | 2-135 | BEIGE | | 6.09 | 3.50 | 135 | 2.00 |
| SHU | 2-185 | BROWN | | 6.09 | 3.50 | 185 | 2.00 |
| SHU | 2-225 | GRAY | BROWN | 6.09 | 3.50 | 225 | 2.00 |
| SHU | 2-250 | BLUE | | 6.09 | 3.50 | 250 | 2.00 |
| SHU | 2-375 | BLUE | BROWN | 6.09 | 3.50 | 375 | 2.00 |
| SHU | 2-500 | GREEN | | 6.09 | 3.50 | 500 | 2.00 |
| SHU | 2-625 | GREEN | BROWN | 6.09 | 3.50 | 625 | 2.00 |
| SHU | 2-750 | BLACK | | 6.09 | 3.50 | 750 | 2.00 |
| SHU | 2-875 | BLACK | BROWN | 6.09 | 3.50 | 875 | 2.00 |
| SHU | 2-995 | ORANGE | | 6.09 | 3.50 | 995 | 2.00 |
| SHU | 2-1120 | ORANGE | BROWN | 6.09 | 3.50 | 1120 | 2.00 |
| SHU | 2-1400 | ORANGE | GREEN | 6.09 | 3.50 | 1400 | 2.01 |
| SHU | 2-1600 | RED | | 6.09 | 3.50 | 1600 | 2.00 |
| SHU | 2-1975 | RED | GREEN | 6.09 | 3.50 | 1975 | 1.98 |



SPECIFICATIONS:

- SPRING ELEMENTS ARE POWDER COATED.
- ISOLATORS HAVE A MINIMUM Kx/Ky RATIO OF 1.0.
- ISOLATORS HAVE A TYPICAL OVERLOAD CAPACITY OF 50%.
- SPRING ELEMENTS ARE SAFE AT SOLID LOADING.
- NEOPRENE NOISE CAP CONTAINS AN EMBEDDED STEEL CUP.



KINETICS NOISE CONTROL, INC
 6300 IRELAN PL,
 DUBLIN, OH 43017 USA
 Ph: 614 889-0480, Fax: 614 889-0540
www.kineticsnoise.com

Model:
SHU
2-100/1975

By: **JMJ**
 Date: **02/26/03**
 Revised: **07/12/11 / BB**

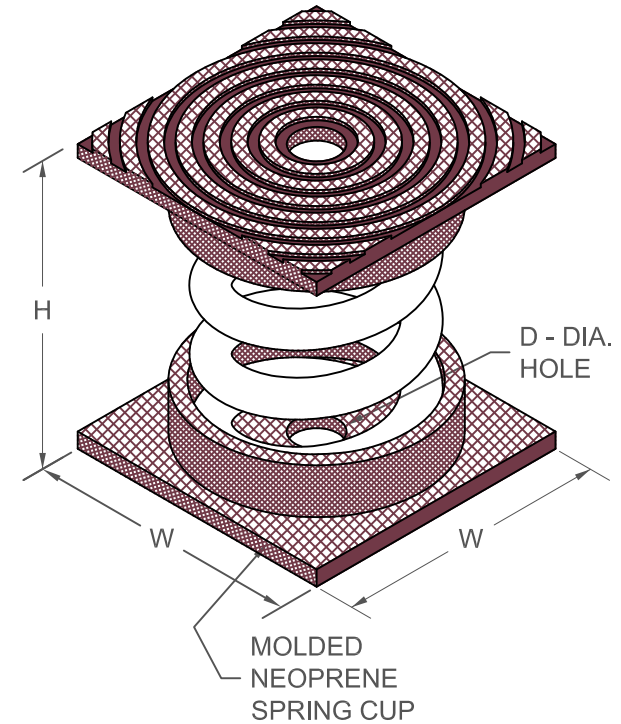
Drawing No:
S-01.21-61

SHU 51 mm DEFLECTION ISOLATOR

S-I UNITS (mm AND kg)

| TYPE | H | W | D |
|------------|-----|-----|----|
| 2-100/1975 | 174 | 111 | 25 |

| STANDARD RATINGS | | SPRING COIL | | | | | |
|------------------|--------|-------------|-------|------|------|-------|-------|
| TYPE | SIZE | COLOR | | FREE | | RATED | |
| | | OUTER | INNER | HT. | O.D. | LOAD | DEFL. |
| SHU | 2-100 | GRAY | | 155 | 89 | 45 | 51 |
| SHU | 2-135 | BEIGE | | 155 | 89 | 61 | 51 |
| SHU | 2-185 | BROWN | | 155 | 89 | 84 | 51 |
| SHU | 2-225 | GRAY | BROWN | 155 | 89 | 102 | 51 |
| SHU | 2-250 | BLUE | | 155 | 89 | 113 | 51 |
| SHU | 2-375 | BLUE | BROWN | 155 | 89 | 170 | 51 |
| SHU | 2-500 | GREEN | | 155 | 89 | 227 | 51 |
| SHU | 2-625 | GREEN | BROWN | 155 | 89 | 283 | 51 |
| SHU | 2-750 | BLACK | | 155 | 89 | 340 | 51 |
| SHU | 2-875 | BLACK | BROWN | 155 | 89 | 397 | 51 |
| SHU | 2-995 | ORANGE | | 155 | 89 | 451 | 51 |
| SHU | 2-1120 | ORANGE | BROWN | 155 | 89 | 508 | 51 |
| SHU | 2-1400 | ORANGE | GREEN | 155 | 89 | 635 | 51 |
| SHU | 2-1600 | RED | | 155 | 89 | 726 | 51 |
| SHU | 2-1975 | RED | GREEN | 155 | 89 | 896 | 50 |



SPECIFICATIONS:

- SPRING ELEMENTS ARE POWDER COATED.
- ISOLATORS HAVE A MINIMUM Kx/Ky RATIO OF 1.0.
- ISOLATORS HAVE A TYPICAL OVERLOAD CAPACITY OF 50%.
- SPRING ELEMENTS ARE SAFE AT SOLID LOADING.
- NEOPRENE NOISE CAP CONTAINS AN EMBEDDED STEEL CUP.



KINETICS NOISE CONTROL, INC
 6300 IRELAN PL,
 DUBLIN, OH 43017 USA
 Ph: 614 889-0480, Fax: 614 889-0540
www.kineticsnoise.com

Model:
 SHU
 2-100/1975

By: JMJ
 Date: 02/26/03
 Revised: 07/12/11 / BB

Drawing No:
 S-01.21-61(M)