

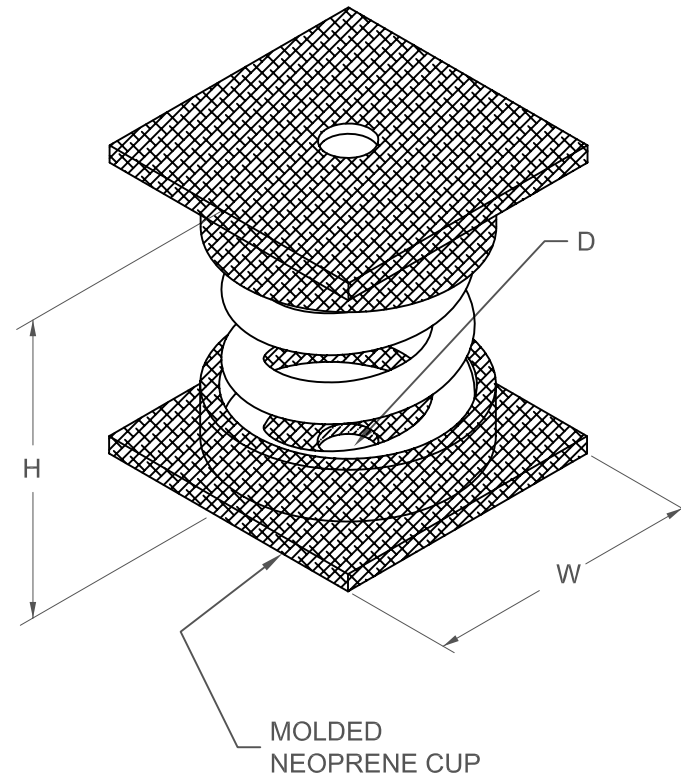
SHU 1" DEFLECTION ISOLATOR

TYPE	H	W	D
1-35/805	3.50	2.63	0.69

I-P UNITS (INCHES AND POUNDS)

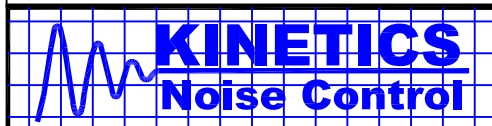
STANDARD RATINGS

TYPE	SIZE	COIL	COIL FREE HT	O.D.	COIL CAPACITY
SHU	35A	BLUE	3.19	1.75	35
SHU	70A	GREEN	3.19	1.75	70
SHU	120A	GRAY	3.19	1.75	120
SHU	220A	BROWN	3.19	1.75	220
SHU	370A	ORANGE	3.19	1.75	370
SHU	500A	BEIGE	3.19	1.75	500
SHU	600A	CHROME	3.19	1.75	600
SHU	700A	BGE/WHT	3.19	1.75	700
SHU	805A	CHR/WHT	3.19	1.75	805



SPECIFICATIONS:

- SPRING ELEMENTS ARE POWDER COATED
- ISOLATORS HAVE A MINIMUM Kx/Ky RATIO OF 1.0
- ISOLATORS HAVE A TYPICAL OVERLOAD CAPACITY OF 50%
- SPRING ELEMENTS ARE SAFE AT SOLID LOADING
- NEOPRENE NOISE CAP CONTAINS AN EMBEDDED STEEL CUP



KINETICS NOISE CONTROL, INC
 6300 IRELAN PL,
 DUBLIN, OH 43017 USA
 Ph: 614 889-0480, Fax: 614 889-0540
www.kineticsnoise.com

Model:
SHU
35A/805A

By: **JMJ**
 Date: **02/26/03**
 Revised: **10/29/03 / JMJ**

Drawing No:
S-01.21-51

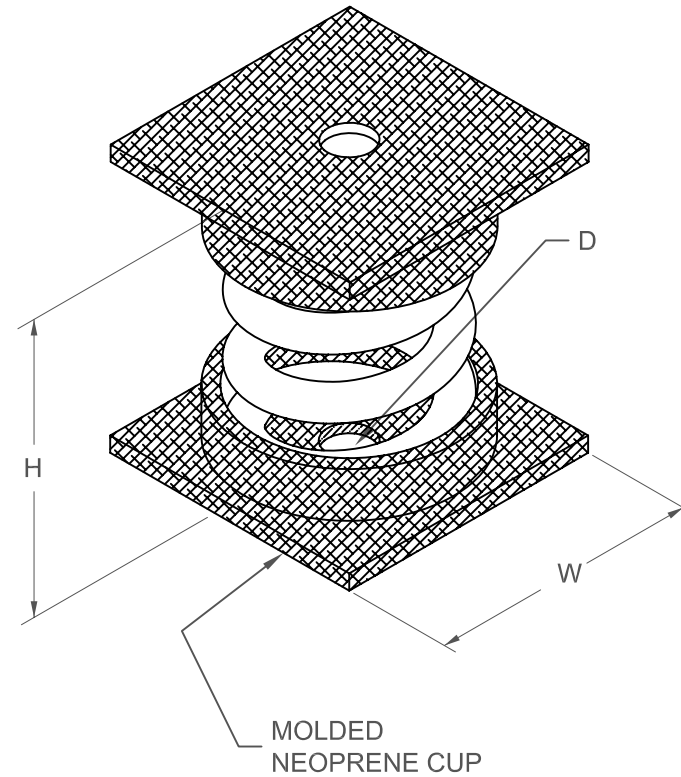
SHU 25mm DEFLECTION ISOLATOR

TYPE	H	W	D
1-35/805	89	67	18

S-I UNITS (MM AND KG)

STANDARD RATINGS

TYPE	SIZE	COIL	COIL FREE HT	O.D.	COIL CAPACITY
SHU	35A	BLUE	81	45	16
SHU	70A	GREEN	81	45	32
SHU	120A	GRAY	81	45	54
SHU	220A	BROWN	81	45	100
SHU	370A	ORANGE	81	45	168
SHU	500A	BEIGE	81	45	227
SHU	600A	CHROME	81	45	272
SHU	700A	BGE/WHT	81	45	318
SHU	805A	CHR/WHT	81	45	365



SPECIFICATIONS:

- SPRING ELEMENTS ARE POWDER COATED
- ISOLATORS HAVE A MINIMUM Kx/Ky RATIO OF 1.0
- ISOLATORS HAVE A TYPICAL OVERLOAD CAPACITY OF 50%
- SPRING ELEMENTS ARE SAFE AT SOLID LOADING
- NEOPRENE NOISE CAP CONTAINS AN EMBEDDED STEEL CUP



KINETICS NOISE CONTROL, INC
 6300 IRELAN PL,
 DUBLIN, OH 43017 USA
 Ph: 614 889-0480, Fax: 614 889-0540
www.kineticsnoise.com

Model:
SHU
35A/805A

By: **JMJ**
 Date: **02/26/03**
 Revised: **10/30/03 / JMJ**

Drawing No:
S-01.21-51(M)