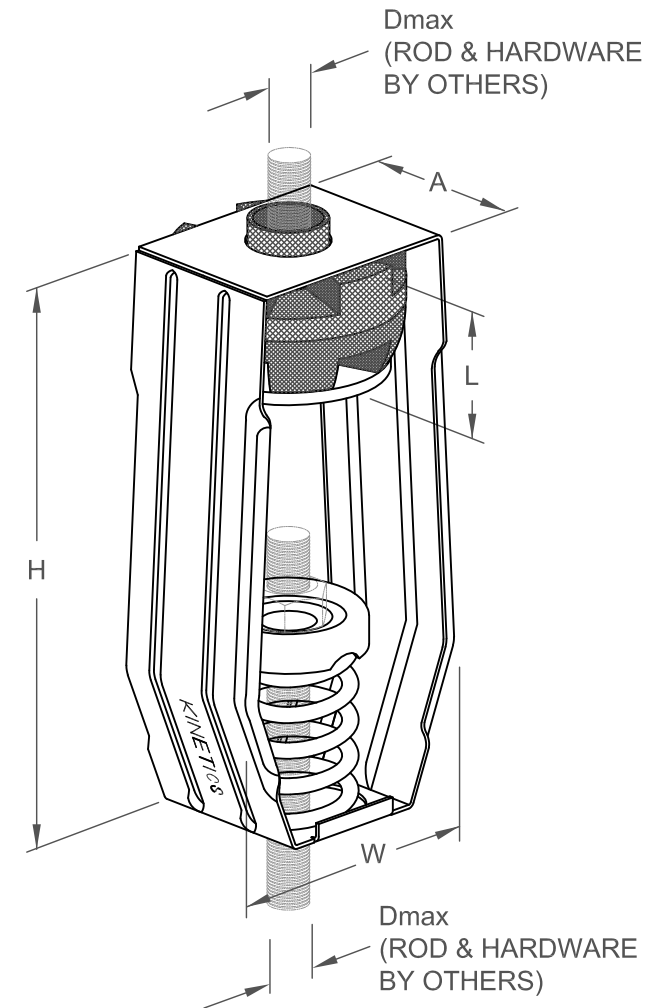


# SRH 1" DEFLECTION ISOLATION HANGERS

IP UNITS (INCHES AND POUNDS)

TYPE	L	H	W	A	D <sub>MAX</sub>
1-50/1000	2.00	8.59	5.58	3.63	0.88

STANDARD RATINGS		SPRING COIL					INSERT COLOR
TYPE	SIZE	COLOR	FREE HT.	O.D.	RATED LOAD	DEFL.	
SRH	1-50	BEIGE	4.20	3.00	50	1.13	BLACK
SRH	1-100	CHROME	4.20	3.00	100	1.19	RED
SRH	1-140 (250)	BLUE	4.20	3.00	250	2.12	GREEN
SRH	1-293 (450)	GREEN	4.20	3.00	450	1.94	WHITE
SRH	1-434 (625)	BLACK	4.20	3.00	625	1.80	PURPLE
SRH	1-611 (800)	GRAY	4.20	3.00	800	1.55	YELLOW
SRH	1-870 (1000)	RED	4.20	3.00	1000	1.45	YELLOW



## SPECIFICATIONS:

- SPRING ELEMENTS AND BRACKETS ARE POWDER COATED.
- LOAD PLATES ARE BRIGHT ZINC PLATED.
- ISOLATION HANGERS HAVE A MINIMUM K<sub>x</sub>/K<sub>y</sub> RATIO OF 1.4.
- SPRING ELEMENTS ARE SAFE AT SOLID LOADING.
- HANGER BRACKETS WILL CARRY (5) TIMES OVERLOAD WITHOUT FAILURE.
- ISOLATION HANGERS HAVE A TYPICAL OVERLOAD OF 50%.
- HANGER BRACKETS WILL ALLOW 30° ROD MISALIGNMENT WITHOUT SHORT CIRCUITING.
- "NO SHORT" STEP CAP



KINETICS NOISE CONTROL, INC  
 6300 IRELAN PL,  
 DUBLIN, OH 43017 USA  
 Ph: 614 889-0480, Fax: 614 889-0540  
 www.kineticsnoise.com

Model:  
**SRH**  
**1-50/1000**

By: **JMJ**  
 Date: **02/26/03**  
 Revised: **09/01/23 /KR**

Drawing No:  
**S-03.37-12**