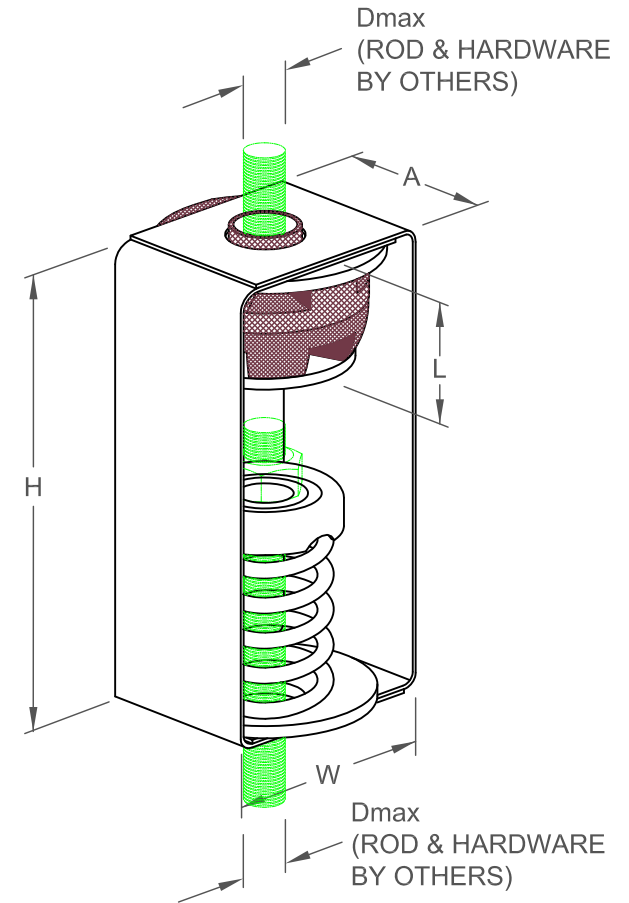


SRH 1" DEFLECTION ISOLATION HANGERS

IP UNITS (INCHES AND POUNDS)

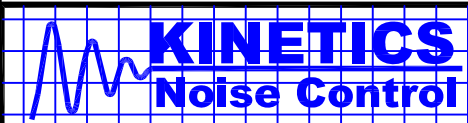
TYPE	L	H	W	A	Dmax
1-2190/3500	1.85	9.50	5.00	4.75	0.88

STANDARD RATINGS				SPRING COIL				INSERT COLOR
TYPE	SIZE	LOAD	DEFL.	COLOR		FREE HT.	O.D.	
SRH	1-2190(2200)	2200	1.52	ORANGE	GRAY	4.20	3.00	PINK
SRH	1-2465	2465	1.58	BLUE		4.20	3.00	PINK
SRH	1-2865	2865	1.67	BLUE	GRAY	4.20	3.00	PINK
SRH	1-3500	3500	1.82	BLUE	BROWN	4.20	3.00	PINK



SPECIFICATIONS:

- SPRING ELEMENTS AND BRACKETS ARE POWDER COATED
- LOAD PLATES ARE BRIGHT ZINC PLATED
- ISOLATION HANGERS HAVE A MINIMUM K_x/K_y RATIO OF 1.0
- SPRING ELEMENTS ARE SAFE AT SOLID LOADING
- HANGER BRACKETS WILL CARRY (5) TIMES OVERLOAD WITHOUT FAILURE
- ISOLATION HANGERS HAVE A TYPICAL OVERLOAD OF 50%
- HANGER BRACKETS WILL ALLOW 30° ROD MISALIGNMENT WITHOUT SHORT CIRCUITING
- "NO SHORT" STEP CAP



KINETICS NOISE CONTROL, INC
 6300 IRELAN PL,
 DUBLIN, OH 43017 USA
 Ph: 614 889-0480, Fax: 614 889-0540
 www.kineticsnoise.com

Model:
SRH
 1-2190/3500

By: JMJ
 Date: 03/18/03
 Revised: 1/18/24 /KR

Drawing No:
S-03.37-14