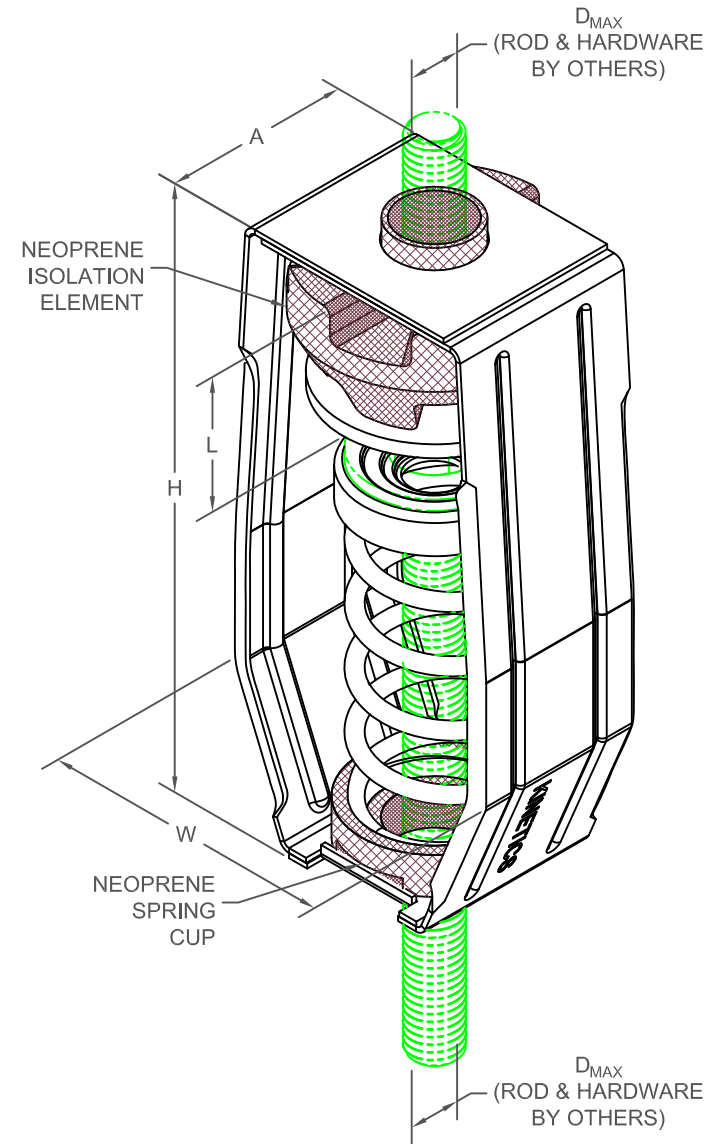


SRH 2" DEFLECTION ISOLATION HANGERS

IP UNITS (INCHES AND POUNDS)

TYPE	L	H	W	A	D _{MAX}
2-35/220	1.72	7.38	3.69	2.25	0.63

STANDARD RATINGS				SPRING COIL			
TYPE	SIZE	LOAD	DEFL.	COLOR	FREE HT.	O.D.	INSERT COLOR
SRH	2-35	35	2.09	BLUE	4.13	1.75	BLACK
SRH	2-70	70	2.19	GREEN	4.13	1.75	BLACK
SRH	2-120	120	2.32	GRAY	4.13	1.75	BLACK
SRH	2-220	220	2.29	BROWN	4.13	1.75	GREEN



- ISOLATION HANGERS INCORPORATE "NO SHORT" STEP SPRING CAP.
- ISOLATION HANGERS HAVE A MINIMUM K_x/K_y OF 1.1.
- SPRING ELEMENTS ARE SAFE FOR SOLID LOADING.
- HANGER BRACKET WILL CARRY (5) TIMES OVERLOAD WITHOUT FAILURE.
- HANGER BRACKET WILL ALLOW 30° ROD MISALIGNMENT WITHOUT SHORT CIRCUITING.
- SPRING AND BRACKET ARE POWDER COATED. ALL OTHER STEEL COMPONENTS ARE BRIGHT ZINC PLATED.



KINETICS NOISE CONTROL, INC
6300 IRELAN PL,
DUBLIN, OH 43017 USA
Ph: 614 889-0480, Fax: 614 889-0540
www.kineticsnoise.com

Model:

SRH-2-
35/220

By: JMJ

Date: 02/26/03

Revised: 02/11/13/BB

Drawing No:

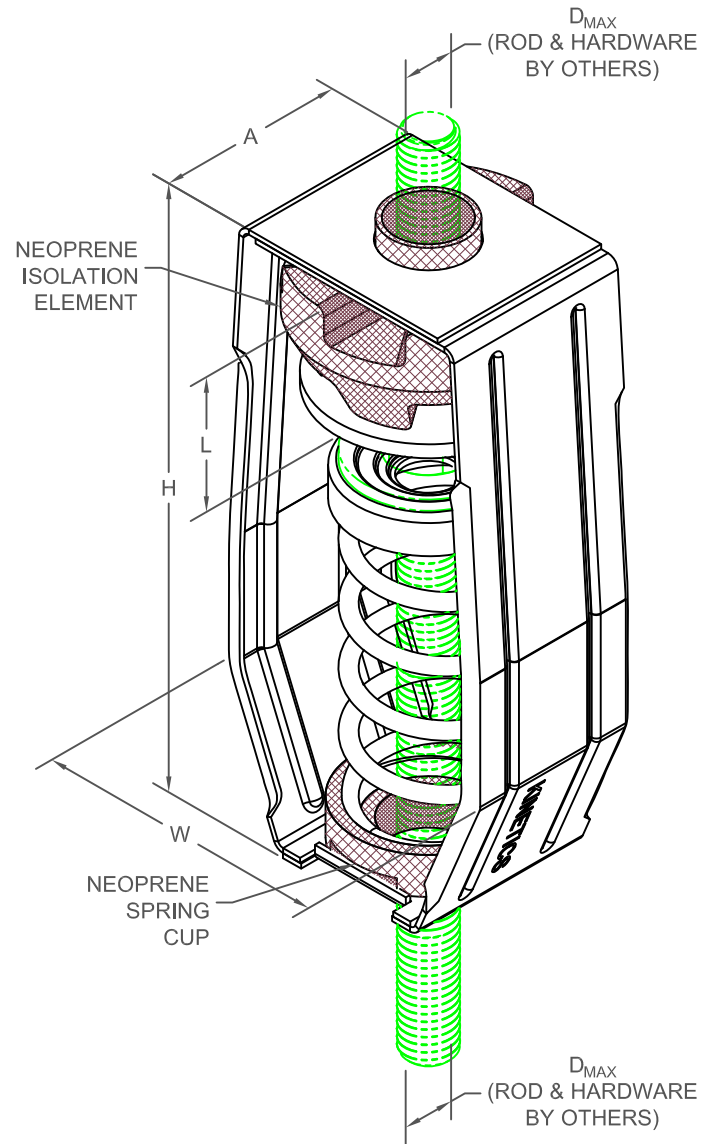
S-03.37-21

SRH 51 mm DEFLECTION ISOLATION HANGERS

S-I UNITS (mm AND kg)

TYPE	L	H	W	A	D _{MAX}
2-35/220	44	187	94	57	16

STANDARD RATINGS				SPRING COIL			INSERT
TYPE	SIZE	LOAD	DEFL.	COLOR	HT.	O.D.	COLOR
SRH	2-35	16	53	BLUE	105	44	BLACK
SRH	2-70	32	56	GREEN	105	44	BLACK
SRH	2-120	54	59	GRAY	105	44	BLACK
SRH	2-220	100	58	BROWN	105	44	GREEN



- ISOLATION HANGERS INCORPORATE "NO SHORT" STEP SPRING CAP.
- ISOLATION HANGERS HAVE A MINIMUM K_x/K_y OF 1.1.
- SPRING ELEMENTS ARE SAFE FOR SOLID LOADING.
- HANGER BRACKET WILL CARRY (5) TIMES OVERLOAD WITHOUT FAILURE.
- HANGER BRACKET WILL ALLOW 30° ROD MISALIGNMENT WITHOUT SHORT CIRCUITING.
- SPRING AND BRACKET ARE POWDER COATED. ALL OTHER STEEL COMPONENTS ARE BRIGHT ZINC PLATED.



KINETICS NOISE CONTROL, INC
6300 IRELAN PL,
DUBLIN, OH 43017 USA
Ph: 614 889-0480, Fax: 614 889-0540
www.kineticsnoise.com

Model:

SRH-2-
35/220

By: JMJ

Date: 02/26/03

Revised: 02/11/13/BB

Drawing No:

S-03.37-21
METRIC