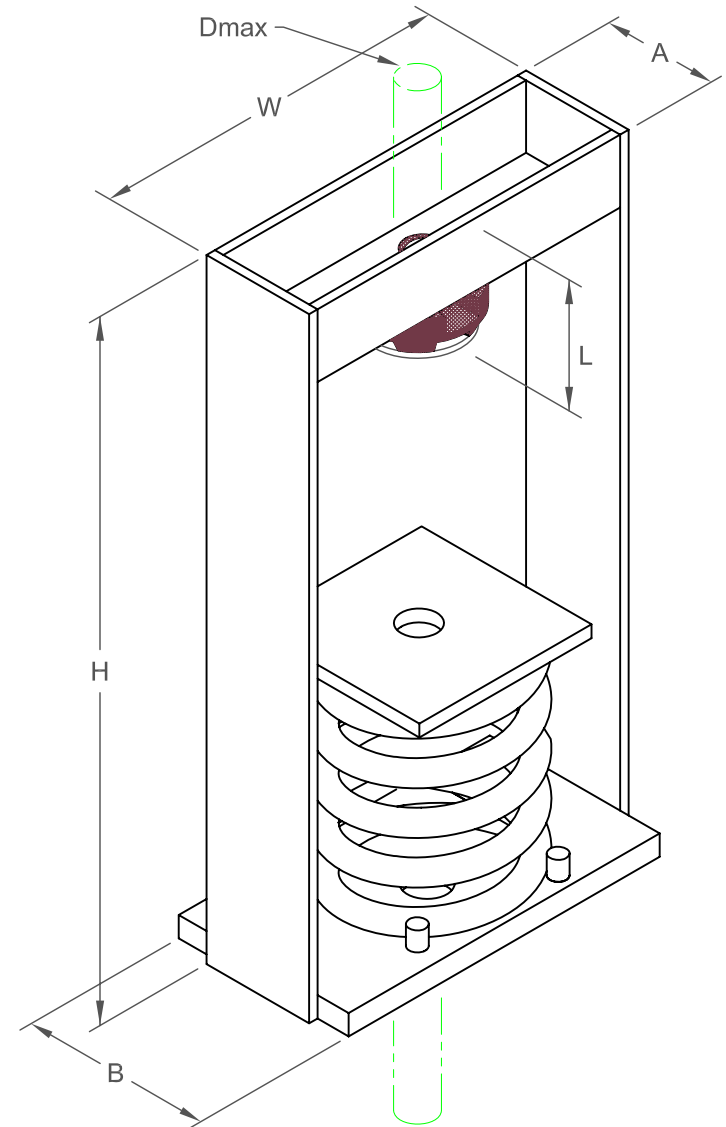


SRH 4" DEFLECTION ISOLATION HANGERS
IP UNITS (INCHES AND POUNDS)

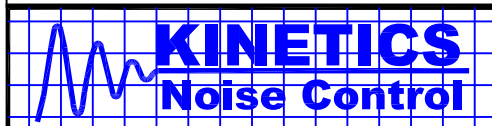
TYPE	L	H	W	A	B	Dmax
4-100/1600	3.18	16.00	9.38	4.00	6.00	0.88

STANDARD RATINGS				SPRING COIL			INSERT COLOR
TYPE	SIZE	LOAD	DEFL.	COLOR	FREE HT.	O.D.	
SRH	4-100	100	4.09	GRAY	10.00	5.63	WHITE
SRH	4-250	250	4.22	BLUE	10.00	5.63	WHITE
SRH	4-500	500	4.15	GREEN	10.00	5.63	YELLOW
SRH	4-750	750	4.22	BLACK	10.00	5.63	YELLOW
SRH	4-1000	1000	4.30	RED	10.00	5.63	YELLOW
SRH	4-1250	1250	4.37	BROWN	10.00	5.63	YELLOW
SRH	4-1600	1600	4.38	ORANGE	10.00	5.63	PINK



SPECIFICATIONS:

- SPRING ELEMENTS AND BRACKETS ARE POWDER COATED
- LOAD PLATES ARE BRIGHT ZINC PLATED
- ISOLATION HANGERS HAVE A MINIMUM K_x/K_y RATIO OF 1.2
- SPRING ELEMENTS ARE SAFE AT SOLID LOADING
- HANGER BRACKETS WILL CARRY (5) TIMES OVERLOAD WITHOUT FAILURE
- HANGER BRACKETS WILL ALLOW 30° ROD MISALIGNMENT WITHOUT SHORT CIRCUITING



KINETICS NOISE CONTROL, INC
 6300 IRELAN PL,
 DUBLIN, OH 43017 USA
 Ph: 614 889-0480, Fax: 614 889-0540
 www.kineticsnoise.com

Model:
SRH
4-100/1600

By: **JMJ**
 Date: **11/3/03**
 Revised: **/**

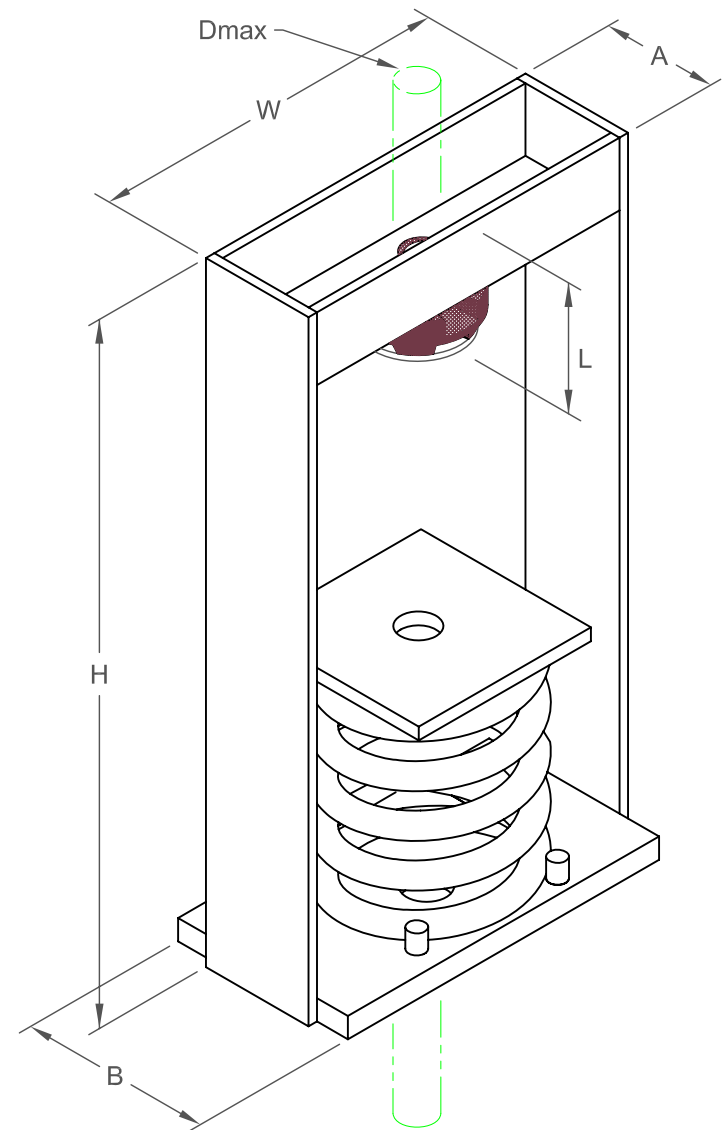
Drawing No:
S-03.37-41

SRH 102 mm DEFLECTION ISOLATION HANGERS

S-I UNITS (mm AND kg)

TYPE	L	H	W	A	B	Dmax
4-100/1600	81	406	238	102	152	22

STANDARD RATINGS				SPRING COIL			INSERT COLOR
TYPE	SIZE	LOAD	DEFL.	COLOR	FREE HT.	O.D.	
SRH	4-100	45	104	GRAY	254	143	WHITE
SRH	4-250	113	107	BLUE	254	143	WHITE
SRH	4-500	227	105	GREEN	254	143	YELLOW
SRH	4-750	340	107	BLACK	254	143	YELLOW
SRH	4-1000	454	109	RED	254	143	YELLOW
SRH	4-1250	567	111	BROWN	254	143	YELLOW
SRH	4-1600	726	111	ORANGE	254	143	PINK



SPECIFICATIONS:

- SPRING ELEMENTS AND BRACKETS ARE POWDER COATED
- LOAD PLATES ARE BRIGHT ZINC PLATED
- ISOLATION HANGERS HAVE A MINIMUM K_x/K_y RATIO OF 1.2
- SPRING ELEMENTS ARE SAFE AT SOLID LOADING
- HANGER BRACKETS WILL CARRY (5) TIMES OVERLOAD WITHOUT FAILURE
- HANGER BRACKETS WILL ALLOW 30° ROD MISALIGNMENT WITHOUT SHORT CIRCUITING



KINETICS NOISE CONTROL, INC
 6300 IRELAN PL,
 DUBLIN, OH 43017 USA
 Ph: 614 889-0480, Fax: 614 889-0540
 www.kineticsnoise.com

Model:
SRH
4-100/1600

By: **JMJ**
 Date: **11/3/03**
 Revised: **/**

Drawing No:
S-03.37-41(M)