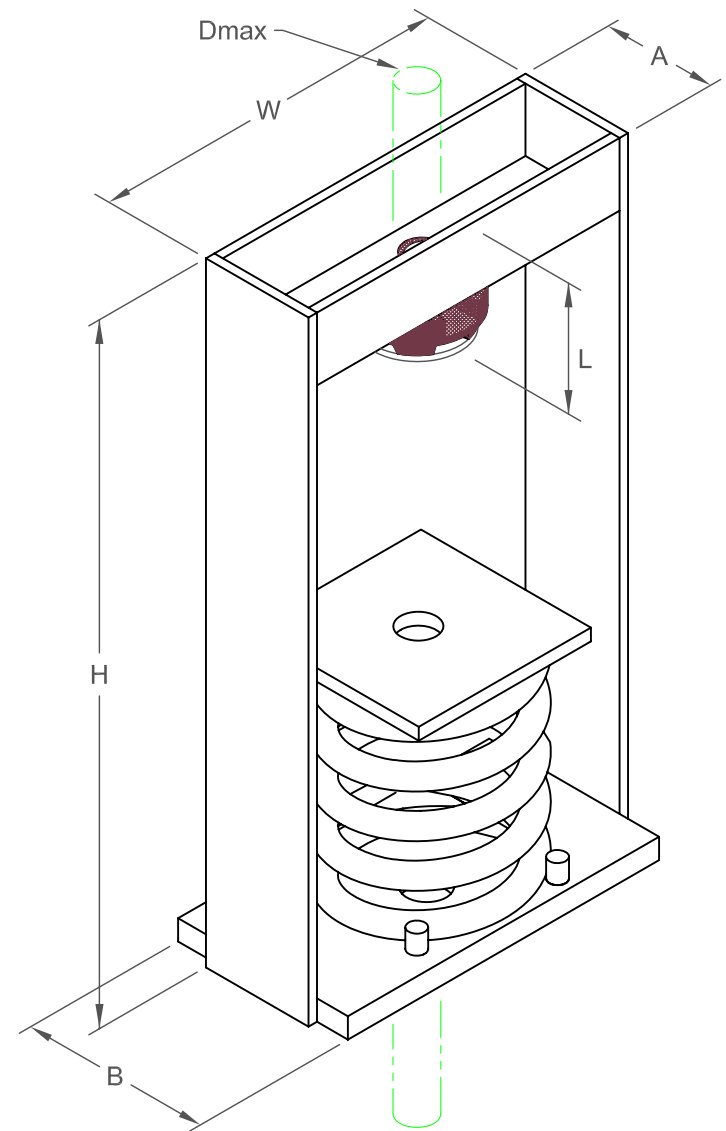


# SRH 4" DEFLECTION ISOLATION HANGERS

IP UNITS (INCHES AND POUNDS)

TYPE	L	H	W	A	B	Dmax
4-2250/2750	3.52	18.50	13.50	6.00	8.00	0.88

STANDARD RATINGS				SPRING COIL				INSERT COLOR
TYPE	SIZE	LOAD	DEFL.	COLOR		FREE HT.	O.D.	
				OUTER	INNER			
SRH	4-2250	2250	4.53	BEIGE		11.50	8.00	PINK
SRH	4-2500	2500	4.59	BEIGE	BLUE	11.50	8.00	PINK
SRH	4-2750	2750	4.65	BEIGE	GREEN	11.50	8.00	PINK



## SPECIFICATIONS:

- SPRING ELEMENTS AND BRACKETS ARE POWDER COATED
- LOAD PLATES ARE BRIGHT ZINC PLATED
- ISOLATION HANGERS HAVE A MINIMUM  $K_x/K_y$  RATIO OF 1.5
- SPRING ELEMENTS ARE SAFE AT SOLID LOADING
- HANGER BRACKETS WILL CARRY (5) TIMES OVERLOAD WITHOUT FAILURE
- HANGER BRACKETS WILL ALLOW 30° ROD MISALIGNMENT WITHOUT SHORT CIRCUITING



KINETICS NOISE CONTROL, INC  
 6300 IRELAN PL,  
 DUBLIN, OH 43017 USA  
 Ph: 614 889-0480, Fax: 614 889-0540  
 www.kineticsnoise.com

Model:  
 SRH  
 4-2250/2750

By: JMJ  
 Date: 11/3/03  
 Revised: /

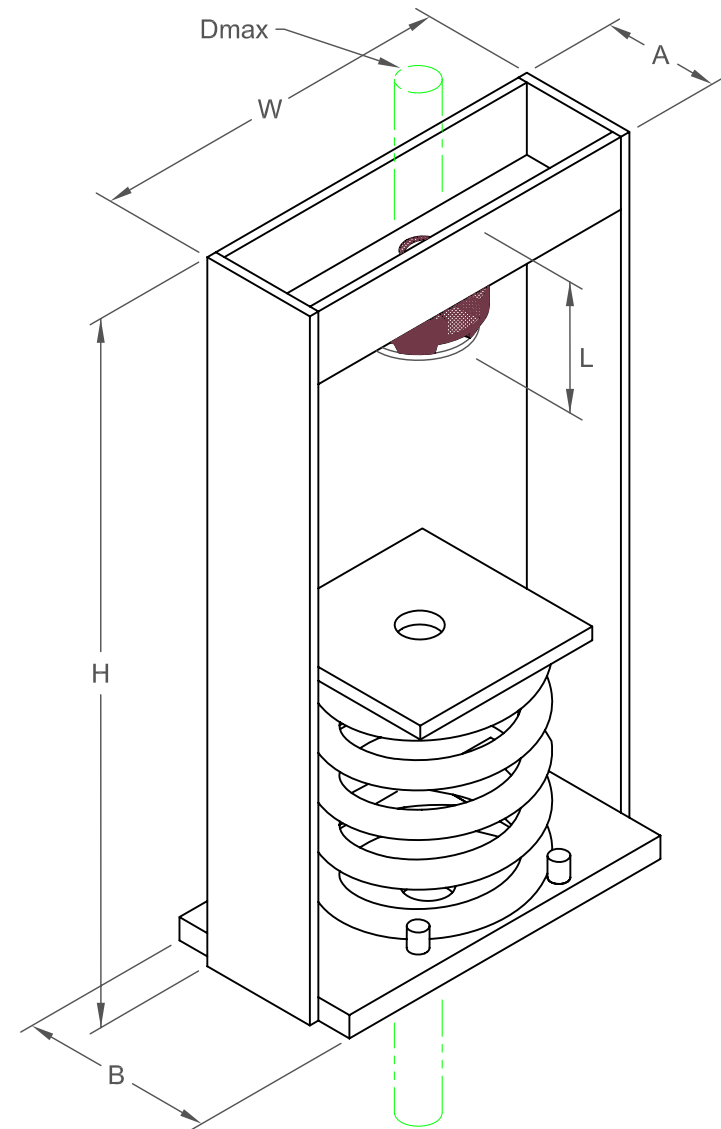
Drawing No:  
 S-03.37-42

# SRH 102 mm DEFLECTION ISOLATION HANGERS

S-I UNITS (mm AND kg)

TYPE	L	H	W	A	B	Dmax
4-2250/2750	89	470	343	152	203	22

STANDARD RATINGS				SPRING COIL				INSERT COLOR
TYPE	SIZE	LOAD	DEFL.	COLOR		FREE	O.D.	
				OUTER	INNER	HT.		
SRH	4-2250	1021	115	BEIGE		292	203	PINK
SRH	4-2500	1134	117	BEIGE	BLUE	292	203	PINK
SRH	4-2750	1247	118	BEIGE	GREEN	292	203	PINK



## SPECIFICATIONS:

- SPRING ELEMENTS AND BRACKETS ARE POWDER COATED
- LOAD PLATES ARE BRIGHT ZINC PLATED
- ISOLATION HANGERS HAVE A MINIMUM  $K_x/K_y$  RATIO OF 1.5
- SPRING ELEMENTS ARE SAFE AT SOLID LOADING
- HANGER BRACKETS WILL CARRY (5) TIMES OVERLOAD WITHOUT FAILURE
- HANGER BRACKETS WILL ALLOW 30° ROD MISALIGNMENT WITHOUT SHORT CIRCUITING



KINETICS NOISE CONTROL, INC  
 6300 IRELAN PL,  
 DUBLIN, OH 43017 USA  
 Ph: 614 889-0480, Fax: 614 889-0540  
 www.kineticsnoise.com

Model:  
 SRH  
 4-2250/2750

By: JMJ  
 Date: 11/3/03  
 Revised: /

Drawing No:  
 S-03.37-42(M)