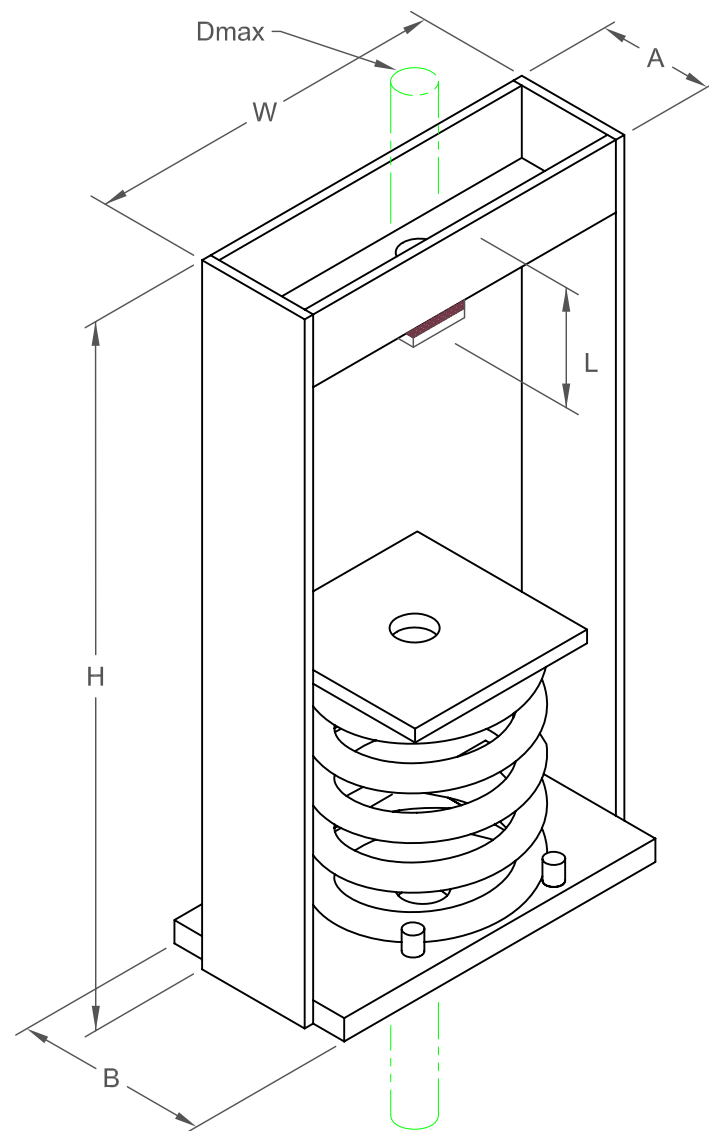


SRH 4" DEFLECTION ISOLATION HANGERS

IP UNITS (INCHES AND POUNDS)

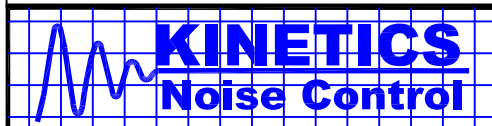
TYPE	L	H	W	A	B	Dmax
4-3000/3850	3.17	18.50	13.50	6.00	8.00	1.00

STANDARD RATINGS				SPRING COIL				INSERT COLOR
TYPE	SIZE	LOAD	DEFL.	COLOR		FREE		
				OUTER	INNER	HT.	O.D.	
SRH	4-3000	3000	4.13	BEIGE	BLACK	11.50	8.00	BLACK
SRH	4-3250	3250	4.14	BEIGE	RED	11.50	8.00	BLACK
SRH	4-3500	3500	4.15	BEIGE	BROWN	11.50	8.00	BLACK
SRH	4-3850	3850	4.16	BEIGE	ORANGE	11.50	8.00	BLACK



SPECIFICATIONS:

- SPRING ELEMENTS AND BRACKETS ARE POWDER COATED
- LOAD PLATES ARE BRIGHT ZINC PLATED
- ISOLATION HANGERS HAVE A MINIMUM K_x/K_y RATIO OF 1.5
- SPRING ELEMENTS ARE SAFE AT SOLID LOADING
- HANGER BRACKETS WILL CARRY (5) TIMES OVERLOAD WITHOUT FAILURE
- HANGER BRACKETS WILL ALLOW 30° ROD MISALIGNMENT WITHOUT SHORT CIRCUITING



KINETICS NOISE CONTROL, INC
 6300 IRELAN PL,
 DUBLIN, OH 43017 USA
 Ph: 614 889-0480, Fax: 614 889-0540
 www.kineticsnoise.com

Model:
 SRH
 4-3000/3850

By: BB
 Date: 11/03/04
 Revised: /

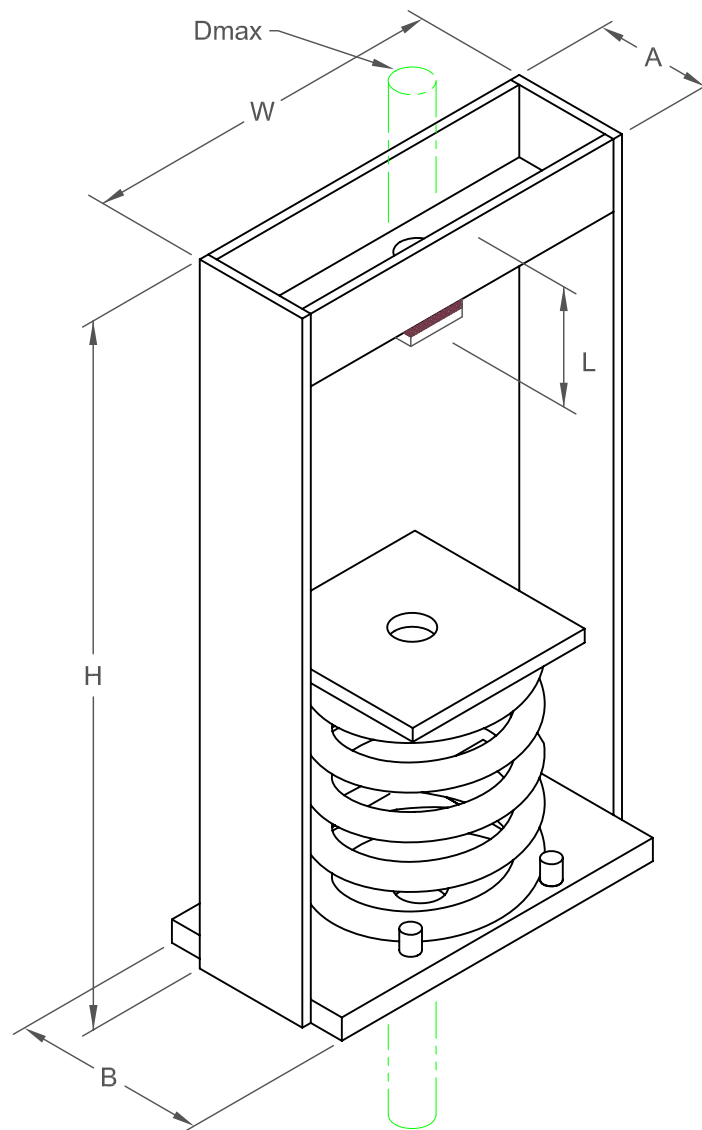
Drawing No:
 S-03.37-43

SRH 102 mm DEFLECTION ISOLATION HANGERS

S-I UNITS (mm AND kg)

TYPE	L	H	W	A	B	Dmax
4-3000/3850	81	470	343	152	203	25

STANDARD RATINGS				SPRING COIL				INSERT COLOR
TYPE	SIZE	LOAD	DEFL.	COLOR		FREE		
				OUTER	INNER	HT.	O.D.	
SRH	4-3000	1361	105	BEIGE	BLACK	292	203	BLACK
SRH	4-3250	1474	105	BEIGE	RED	292	203	BLACK
SRH	4-3500	1588	105	BEIGE	BROWN	292	203	BLACK
SRH	4-3850	1746	106	BEIGE	ORANGE	292	203	BLACK



SPECIFICATIONS:

- SPRING ELEMENTS AND BRACKETS ARE POWDER COATED
- LOAD PLATES ARE BRIGHT ZINC PLATED
- ISOLATION HANGERS HAVE A MINIMUM K_x/K_y RATIO OF 1.5
- SPRING ELEMENTS ARE SAFE AT SOLID LOADING
- HANGER BRACKETS WILL CARRY (5) TIMES OVERLOAD WITHOUT FAILURE
- HANGER BRACKETS WILL ALLOW 30° ROD MISALIGNMENT WITHOUT SHORT CIRCUITING



KINETICS NOISE CONTROL, INC
 6300 IRELAN PL,
 DUBLIN, OH 43017 USA
 Ph: 614 889-0480, Fax: 614 889-0540
www.kineticsnoise.com

Model:
 SRH
 4-3000/3850

By: BB
 Date: 11/03/04
 Revised: /

Drawing No:
 S-03.37-43(M)