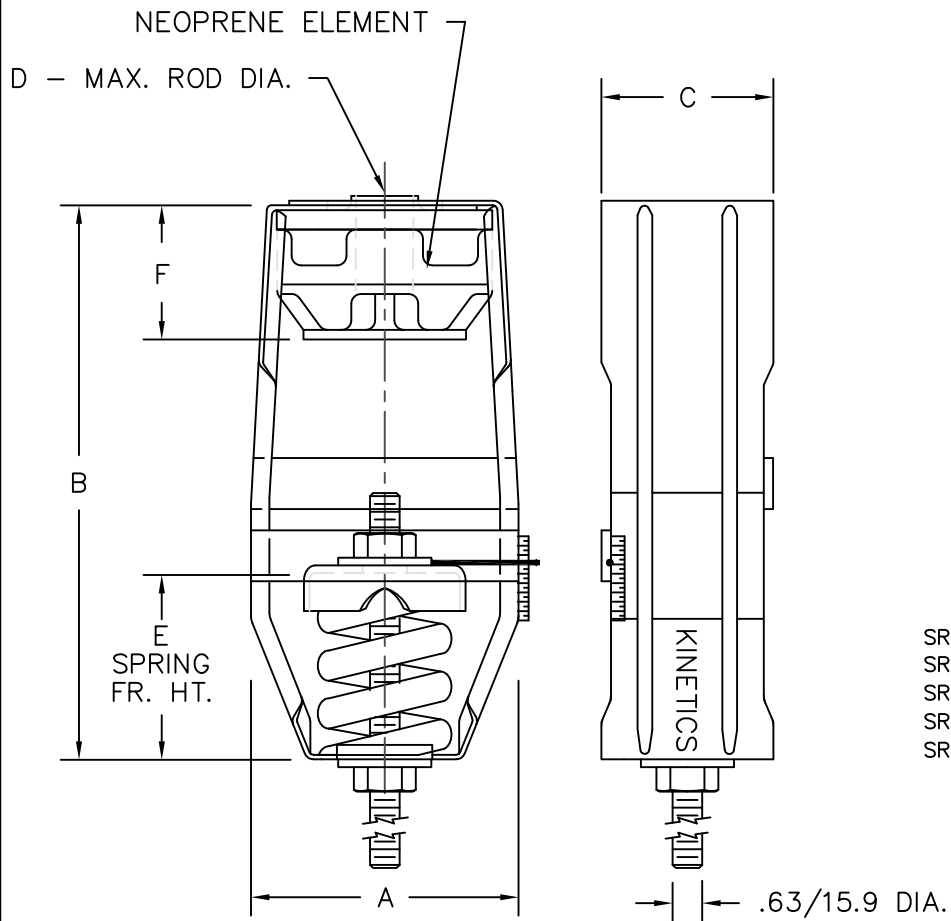


NOTE:  
ALL DIMENSIONS SHOWN IN  
INCHES AND MILLIMETERS.

MODEL	SPRING COLOR	RATED LOAD LB/KG	RATED DEFLECTION IN/MM	DIMENSIONS IN INCHES					
				A IN/MM	B IN/MM	C IN/MM	D IN/MM	E IN/MM	F IN/MM
SRPH-1-1147 (1250)	BROWN	1250/568	1.28/33	5.58/142	8.59/218	3.63/92	.88/22	4.00/100	1.86/47
SRPH-1-1790 (1700)	ORANGE	1700/773	1.34/34	5.58/142	8.59/218	3.63/92	.88/22	4.00/100	1.86/47



- SRPH-1 ISOLATION HANGERS HAVE A MINIMUM  $K_x/K_y$  OF 1.2
- SRPH-1 SPRING ELEMENTS ARE SAFE FOR SOLID LOADING
- SRPH-1 HANGER BRACKETS WILL CARRY (5) TIMES OVERLOAD WITHOUT FAILURE
- SRPH-1 HANGER BRACKETS WILL ALLOW 30° ROD MISALIGNMENT WITHOUT SHORT CIRCUITING
- SRPH-1 SPRING ELEMENTS AND BRACKETS ARE POWDER COATED. LOAD PLATES ARE BRIGHT ZINC PLATED.



TITLE  
MODEL SRPH-1 HANGER

LAST DATE  
REVISED  
10/13/23

DRAWN BY  
DW

DRAWING NO. S-DWG  
S-03.47-1C