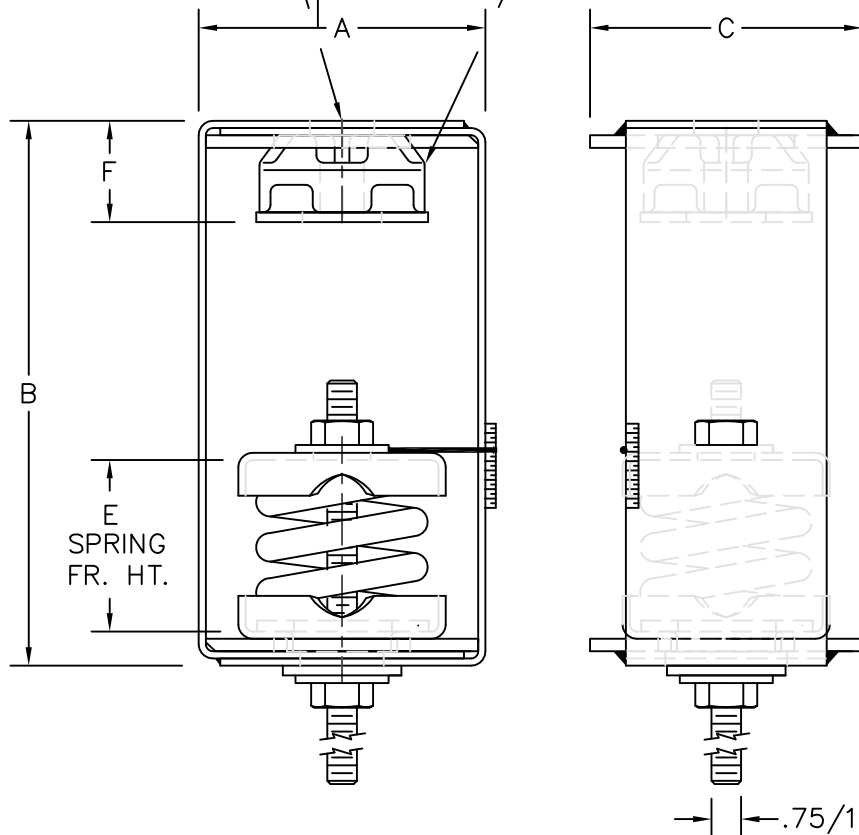


NOTE:
ALL DIMENSIONS SHOWN IN
INCHES AND MILLIMETERS.

| MODEL | SPRING COLOR | RATED LOAD LB/KG | RATED DEFLECTION IN/MM | DIMENSIONS IN INCHES / MILLIMETERS | | | | | |
|-------------------|-----------------|------------------------|------------------------------|------------------------------------|------------|------------|------------|------------|------------|
| | | | | A IN/MM | B IN/MM | C IN/MM | D IN/MM | E IN/MM | F IN/MM |
| SRPH-1-2190(2200) | ORANGE/GRAY | 2200/998 | 1.36/32 | 5.00/127 | 9.50/241 | 4.75/121 | .88/22 | 4.00/102 | 1.86/47 |
| SRPH-1-2465 | BLUE | 2465/1118 | 1.42/33 | 5.00/127 | 9.50/241 | 4.75/121 | .88/22 | 4.00/102 | 1.86/47 |
| SRPH-1-2865 | BLUE/GRAY | 2865/1300 | 1.20/34 | 5.00/127 | 9.50/241 | 4.75/121 | .88/22 | 4.00/102 | 1.86/47 |
| SRPH-1-3500 | BLUE/BROWN | 3500/1588 | 1.18/30 | 5.00/127 | 9.50/241 | 4.75/121 | .88/22 | 4.00/102 | 1.86/47 |

D - MAX. ROD DIA.

NEOPRENE
ELEMENT



- SRPH-1 ISOLATION HANGERS HAVE A MINIMUM K_x/K_y OF 1.0
- SRPH-1 SPRING ELEMENTS ARE SAFE FOR SOLID LOADING
- SRPH-1 HANGER BRACKETS WILL CARRY (5) TIMES OVERLOAD WITHOUT FAILURE
- SRPH-1 HANGER BRACKETS WILL ALLOW 30° ROD MISALIGNMENT WITHOUT SHORT CIRCUITING
- SRPH-1 SPRING ELEMENTS AND BRACKETS ARE POWDER COATED. LOAD PLATES ARE BRIGHT ZINC PLATED.

NOTE:
ALL THREADED MEMBERS ARE AMERICAN STANDARD.



TITLE
MODEL SRPH-1 HANGER

LAST DATE
REVISED
10/02/96

DRAWN BY
DW

DRAWING NO.
S-03.47-1D