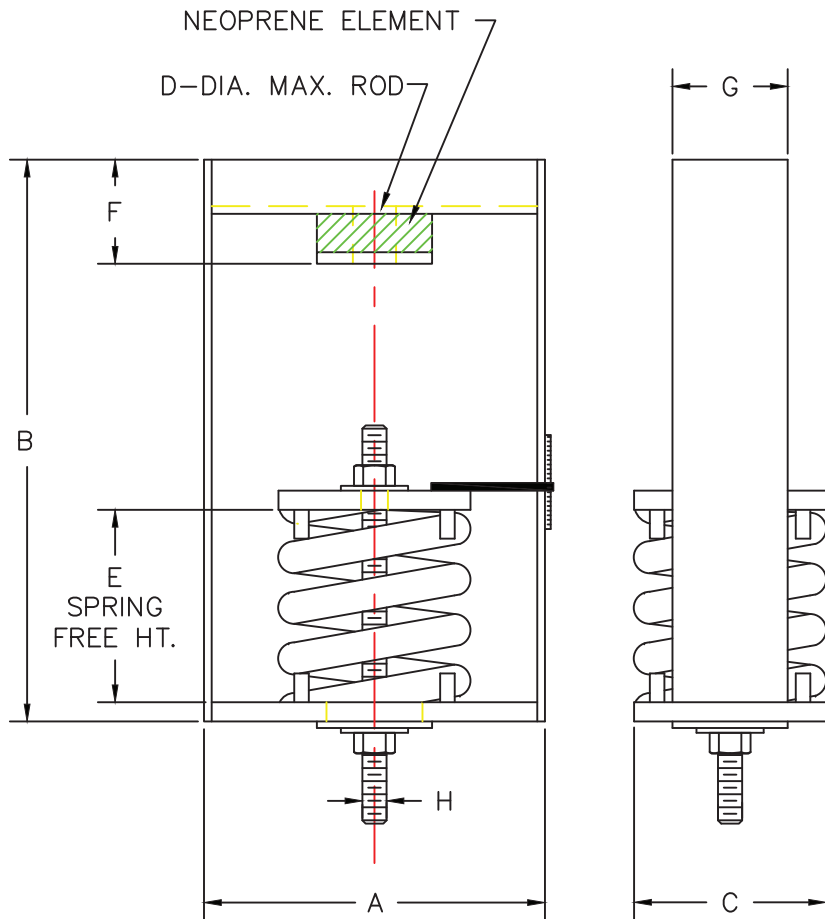


MODEL	RATED LOAD LB/KG	SPRING COLOR	RATED DEFLECTION IN/MM	DIMENSIONS IN INCHES/MILLIMETERS							
				A IN/MM	B IN/MM	C IN/MM	D IN/MM	E IN/MM	F IN/MM	G IN/MM	H IN/MM
SRPH-4-3000	3000/1364	BEIGE/BLACK	4.05/103	13.5/343	18.5/470	8.00/203	1.00/25	11.5/292	3.17/81	6.00/152	.75/19
SRPH-4-3250	3250/1475	BEIGE/RED	4.06/106	13.5/343	18.5/470	8.00/203	1.00/25	11.5/292	3.17/81	6.00/152	.75/19
SRPH-4-3500	3500/1588	BEIGE/BROWN	4.03/107	13.5/343	18.5/470	8.00/203	1.00/25	11.5/292	3.17/81	6.00/152	.75/19
SRPH-4-3850	3850/1747	BEIGE/ORANGE	4.08/104	13.5/343	18.5/470	8.00/203	1.00/25	11.5/292	3.17/81	6.00/152	.75/19



- SRPH-4 ISOLATION HANGERS HAVE A MINIMUM K_x/K_y OF 1.2
- SRPH-4 ISOLATION HANGERS HAVE A TYPICAL OVERLOAD CAPACITY OF 50%
- SRPH-4 SPRING ELEMENTS ARE SAFE FOR SOLID LOADING
- SRPH-4 HANGER BRACKETS WILL CARRY (5) TIMES OVERLOAD WITHOUT FAILURE
- SRPH-4 HANGER BRACKETS WILL ALLOW 30° ROD MISALIGNMENT WITHOUT SHORT CIRCUITING
- SRPH-4 SPRING ELEMENTS AND BRACKETS ARE PAINTED
- SRPH-4 RATED DEFLECTION IS SPRING DEFLECTION PLUS PRORATED NEOPRENE DEFLECTION

NOTE:
ALL THREADED MEMBERS ARE AMERICAN STANDARD.



TITLE
MODEL SRPH-4 HANGER

LAST DATE
REVISED
5/21/97

DRAWN BY
RS

DRAWING NO.
S-03.47-4F