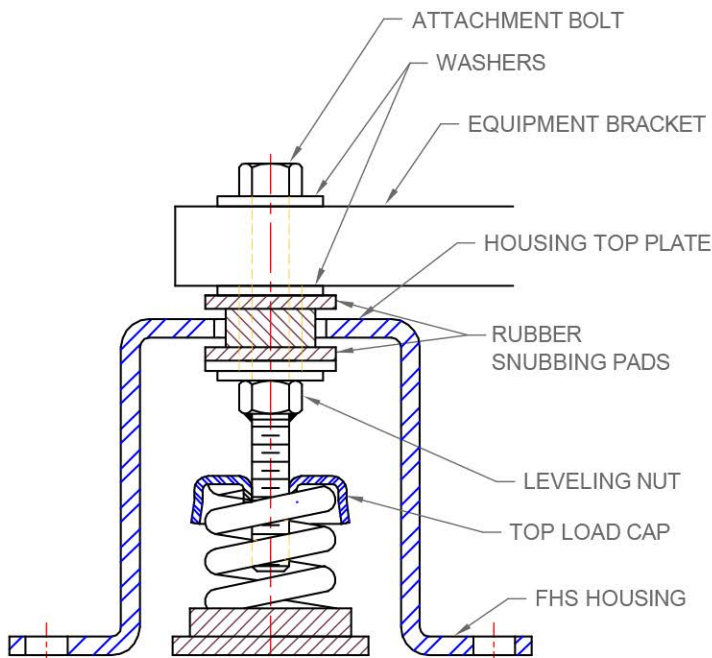
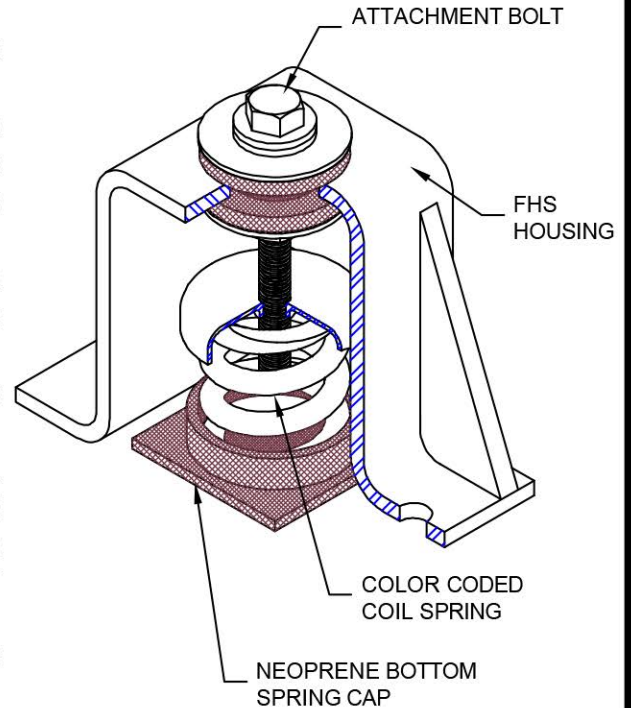


MODEL FHS INSTALLATION INSTRUCTIONS

- 1) COORDINATE THE LOCATION OF EACH ISOLATOR WITH THE APPROPRIATE SUBMITTAL DRAWING.
- 2) REMOVE THE ATTACHMENT BOLT AND ONE WASHER FROM THE TOP OF THE LEVELING NUT. INSERT IT INTO THE EQUIPMENT BRACKET (IT IS NOT NECESSARY TO INSTALL THE SPRING AT THIS POINT).
- 3) ALIGN THE EQUIPMENT AND CENTER THE ISOLATOR HOUSINGS ON THE LEVELING BOLTS, THEN MARK THE ISOLATOR HOUSING ANCHOR BOLT LOCATIONS.
- 4) RAISE THE EQUIPMENT OR EQUIPMENT BASE AND INSTALL THE ISOLATOR ANCHORS IN THE FLOOR.
- 5) LOCATE THE SPRINGS AND LOWER THE EQUIPMENT. NOTE THE FHS HOUSING SHOULD SUPPORT THE EQUIPMENT WITH APPROXIMATELY THE DESIRED FLOOR CLEARANCE. (TAKE CARE NOT TO PUSH THE EQUIPMENT SIDWAYS).
- 6) INSTALL ANCHOR NUTS TO FIRMLY ATTACH THE FHS HOUSING TO THE FLOOR OR HOUSEKEEPING PAD.
- 7) LOOSELY BOLT EQUIPMENT TO THE ISOLATOR USING THE ATTACHMENT BOLT.



- 8) ADJUST THE ISOLATOR BY TURNING THE LEVELING NUT, COUNTER CLOCK-WISE ONE OR TWO TURNS AT EACH ISOLATOR UNTIL THE FHS HOUSING TOP PLATE IS CENTERED BETWEEN THE RUBBER SNUBBING PADS ON THE LEVELING SCREW. DISCONTINUE THE ADJUSTMENT OF THE REMAINING ISOLATORS.
- 9) TIGHTEN THE ATTACHMENT BOLT, THUS BOLTING THE SPRING TO THE SUPPORTED EQUIPMENT AND LOCKING THE LEVELING BOLT AGAINST TURNING.
- 10) DO NOT ATTEMPT TO MOVE THE ISOLATORS Laterally WITH THE WEIGHT OF THE EQUIPMENT ON THEM. IF IT IS NECESSARY TO MOVE THE EQUIPMENT ON THEM, REMOVE THE WEIGHT FROM THE ISOLATORS BY RAISING THE EQUIPMENT BEFORE MOVING.