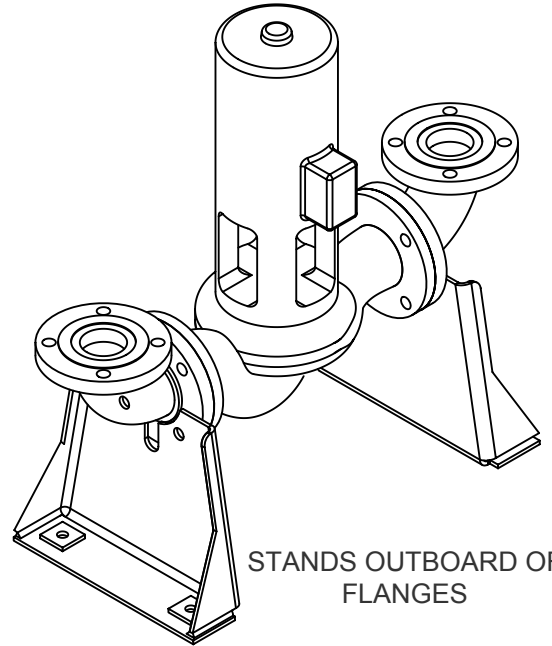


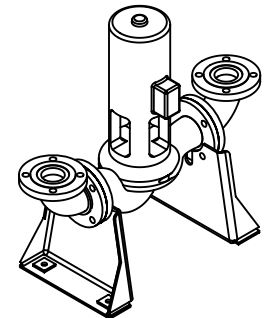
# PUMP STAND INSTALLATION

## MODEL LDPS / HDPS / DPS AND LPS INLINE PUMP STANDS

- 1) INLINE PUMP STANDS ARE TO BE INSTALLED TO THE PUMPS VIA CONNECTION TO THE PIPE FLANGES OF THE PUMPS OR MATING PIPING. STANDS CAN BE LOCATED OUTBOARD OF THE PIPING FLANGE OR INBOARD OF THE PUMP FLANGE (AS PERMITTED BY GEOMETRY). SEE SKETCHES AT RIGHT.
- 2) THE HORIZONTAL MOUNTING FLANGE AT THE BASE OF THE PUMP STANDS IS TO BE ORIENTED SO THAT IT IS POINTING OUTBOARD OF THE PUMP ASSEMBLY.
- 3) ALL PUMP ATTACHMENT BOLTS ARE TO BE A MINIMUM OF A307 OR GRADE 2 AND ARE TO BE PROVIDED BY OTHERS. IF SPECIFIED TO A HIGHER STRENGTH BY THE PUMP MANUFACTURER OR BUILDING MECHANICAL ENGINEER, BASED ON PUMP OPERATING PRESSURE, THIS WILL OVERRIDE THE ABOVE CALL-OUT. THESE BOLTS AS WELL AS THE ATTACHMENT BOLTS/ANCHORS AT THE FLOOR ARE TO BE INSTALLED AND LIGHTLY SNUGGED BEFORE FULL TENSIONING IS PERFORMED. IF THE FLOOR IS UNEVEN OR THE GEOMETRY IS SUCH THAT GAPS OCCUR BETWEEN THE STANDS AND THE PUMP/PIPING FLANGES OR BETWEEN THE STANDS AND THE FLOOR, THE BASE SURFACE SHOULD BE GROUTED TO ENSURE EVEN FLOOR CONTACT. ONCE EVERYTHING IS ALIGNED, THE FLANGE BOLTS ARE TO BE TIGHTENED TO THEIR RATED TORQUE AND THE ANCHORS ARE TO BE TIGHTENED AS PER THE ANCHOR MANUFACTURERS RECOMMENDATIONS.
- 4) IF AN OVERSIZED BASEPLATE IS REQUIRED, IT MUST SPAN BETWEEN THE PIPE STANDS AS A SINGLE UNIT. CONTACT KNC FOR MINIMUM SIZE RECOMMENDATIONS BASED ON APPLICATION CONDITIONS.
- 5) IF DOUBLED PUMP STANDS ARE REQUIRED, TWO COUPLED HDPS STANDS ARE REQUIRED PER SIDE. THESE (DPS) ARE AVAILABLE PRE-ASSEMBLED FROM THE FACTORY.

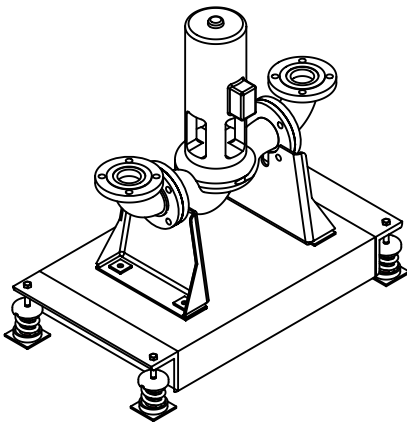


STANDS OUTBOARD OF FLANGES

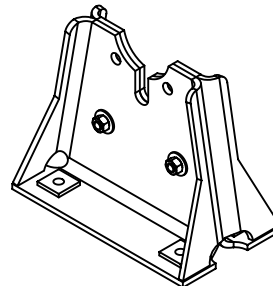


STANDS INBOARD OF FLANGES

- 6) IF THE PUMP ASSEMBLY IS TO BE ISOLATED, ISOLATORS SHOULD NOT BE CONNECTED DIRECTLY TO THE PUMP STANDS.
- 7) PUMP STANDS INSTEAD SHOULD BE HARD CONNECTED TO A STIFF MOUNTING PLATFORM (AN INERTIA BASE FOR EXAMPLE) AND THE ISOLATION MUST THEN BE FITTED BETWEEN THE MOUNTING PLATFORM AND THE STRUCTURE.
- 8) IF THE CONNECTION BETWEEN THE PUMP STANDS AND THE MOUNTING PLATFORM INVOLVES THE USE OF CONCRETE ANCHORS, A ONE PIECE STEEL BASEPLATE MAY BE REQUIRED TO LINK THE PUMP STAND LEGS TOGETHER PRIOR TO CONNECTING THE ASSEMBLY TO THE SUPPORT PLATFORM.



ISOLATED PUMP STANDS



DOUBLE PUMP STANDS (DPS)