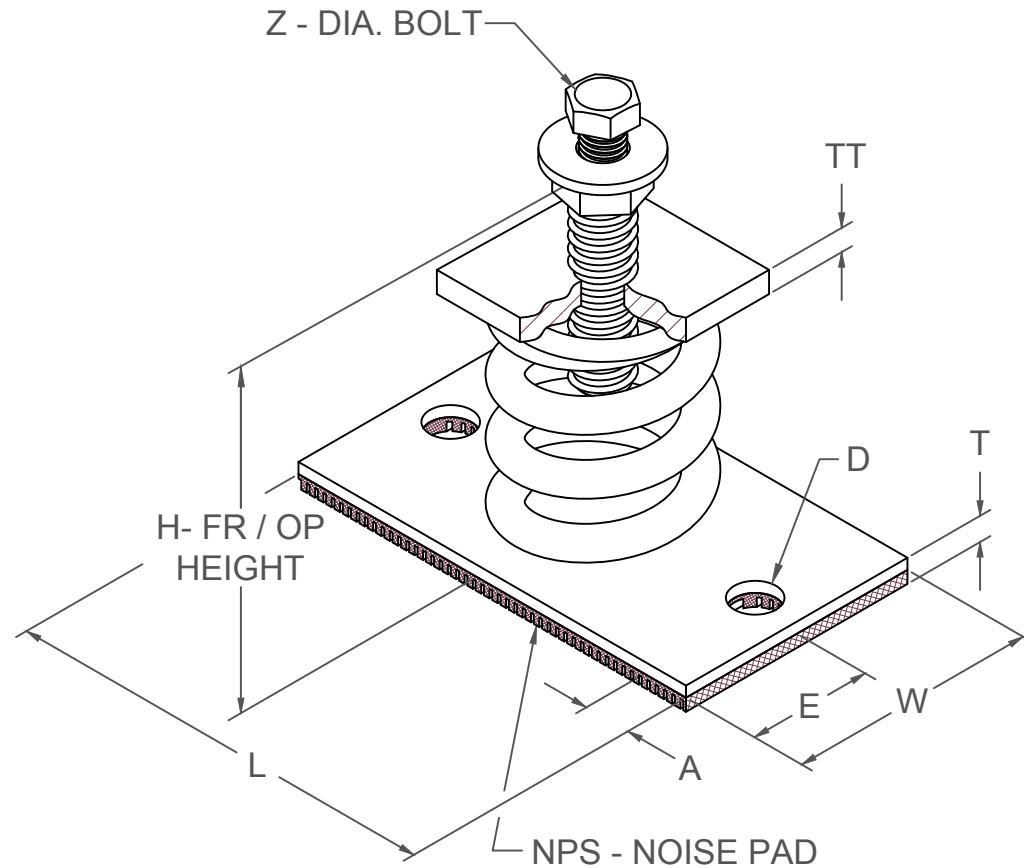


FDS 25 mm DEFLECTION ISOLATOR

S-I UNITS (mm AND kg)

TYPE	L	W	T	A	E	D	H	TT	Z
1-120B/805B	114	64	10	13	32	14	108	3	10
1-50B/3500B	178	102	10	19	51	17	143	10	10

STANDARD RATINGS		SPRING COIL					
TYPE	SIZE	COLOR		FREE HT.	O.D.	RATED	
		OUTER	INNER			LOAD	DEFL.
FDS	1-120B	BLUE		81	44	54	30
FDS	1-220B	BLUE		81	44	100	27
FDS	1-370B	BLUE		81	44	168	24
FDS	1-500B	BLUE		81	44	227	25
FDS	1-600B	BLUE		81	44	272	25
FDS	1-700B	BLUE	BLUE	81	44	318	25
FDS	1-805B	BLUE	BLUE	81	44	365	26
FDS	1-50B	BLUE		107	76	23	25
FDS	1-100B	BLUE		107	76	45	25
FDS	1-250B	BLUE		107	76	113	45
FDS	1-450B	BLUE		107	76	204	39
FDS	1-625B	BLUE		107	76	283	37
FDS	1-800B	BLUE		107	76	363	33
FDS	1-1000B	BLUE		107	76	454	29
FDS	1-1250B	BLUE		107	76	567	28
FDS	1-1700B	BLUE		107	76	771	24
FDS	1-2200B	BLUE	BLUE	107	76	998	26
FDS	1-2465B	BLUE		107	76	1118	25
FDS	1-2865B	BLUE	BLUE	107	76	1300	25
FDS	1-3500B	BLUE	BLUE	107	76	1588	25



SPECIFICATIONS:

- LOAD PLATES ARE AFFIXED TO COIL SPRING.
- FREE STANDING COIL SPRING ISOLATOR.
- FDS-B ISOLATORS ARE PAINTED.
- HARDWARE IS BRIGHT ZINC PLATED.
- MINIMUM OVERLOAD OF 50%.
- MINIMUM Kx/Ky RATIO OF 1.0.
- ALL ELEMENTS SAFE AT SOLID LOADING.
- ALL THREADED MEMBERS ARE AMERICAN STANDARD.
- FDS-B ISOLATORS ARE NOT SEISMICALLY RATED AND CANNOT BE COUNTED ON TO PROVIDE RESTRAINT IN SEISMIC OR WIND APPLICATIONS.



KINETICS NOISE CONTROL, INC
6300 IRELAN PL,
DUBLIN, OH 43017 USA
Ph: 614 889-0480, Fax: 614 889-0540
www.kineticsnoise.com

Model:
FDS-1-
50B/3500B

By: JMJ
Date: 04/11/02
Revised: 05/21/15 / BB

Drawing No:
S-01.20-12
METRIC