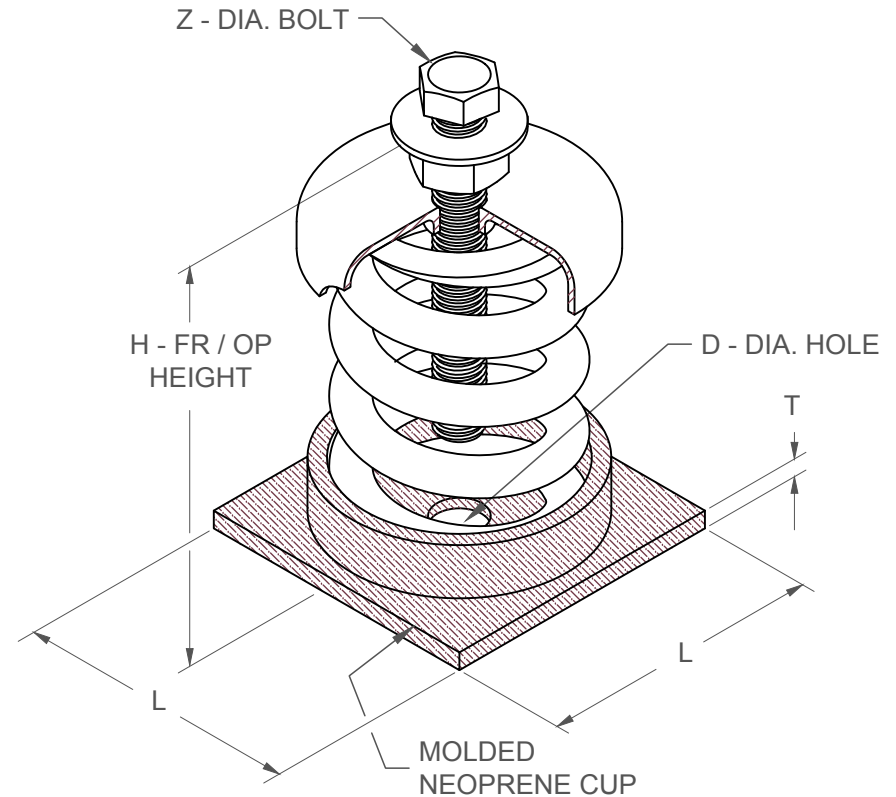


FDS 51 mm DEFLECTION ISOLATOR

S-I UNITS (mm AND kg)

TYPE	L	T	D	H	Z
2-100/1975	111	10	25	186	10

STANDARD RATINGS		SPRING COIL					
TYPE	SIZE	COLOR		FREE	O.D.	RATED	
		OUTER	INNER	HT.		LOAD	DEFL.
FDS	2-100	GRAY		155	89	45	51
FDS	2-135	BEIGE		155	89	61	51
FDS	2-185	BROWN		155	89	84	51
FDS	2-225	GRAY	BROWN	155	89	102	51
FDS	2-250	BLUE		155	89	113	51
FDS	2-375	BLUE	BROWN	155	89	170	51
FDS	2-500	GREEN		155	89	227	51
FDS	2-625	GREEN	BROWN	155	89	283	51
FDS	2-750	BLACK		155	89	340	51
FDS	2-875	BLACK	BROWN	155	89	397	51
FDS	2-995	ORANGE		155	89	451	51
FDS	2-1120	ORANGE	BROWN	155	89	508	51
FDS	2-1400	ORANGE	GREEN	155	89	635	51
FDS	2-1600	RED		155	89	726	51
FDS	2-1975	RED	GREEN	155	89	896	50



SPECIFICATIONS:

- FREE STANDING COIL SPRING ISOLATOR
- POWDER COATED SPRING ELEMENT
- OTHER METALLIC COMPONENTS BRIGHT ZINC PLATED
- MINIMUM OVERLOAD OF 50%
- MINIMUM Kx/Ky RATIO OF 1.0
- ALL ELEMENTS SAFE AT SOLID LOADING
- ALL THREADED MEMBERS ARE AMERICAN STANDARD